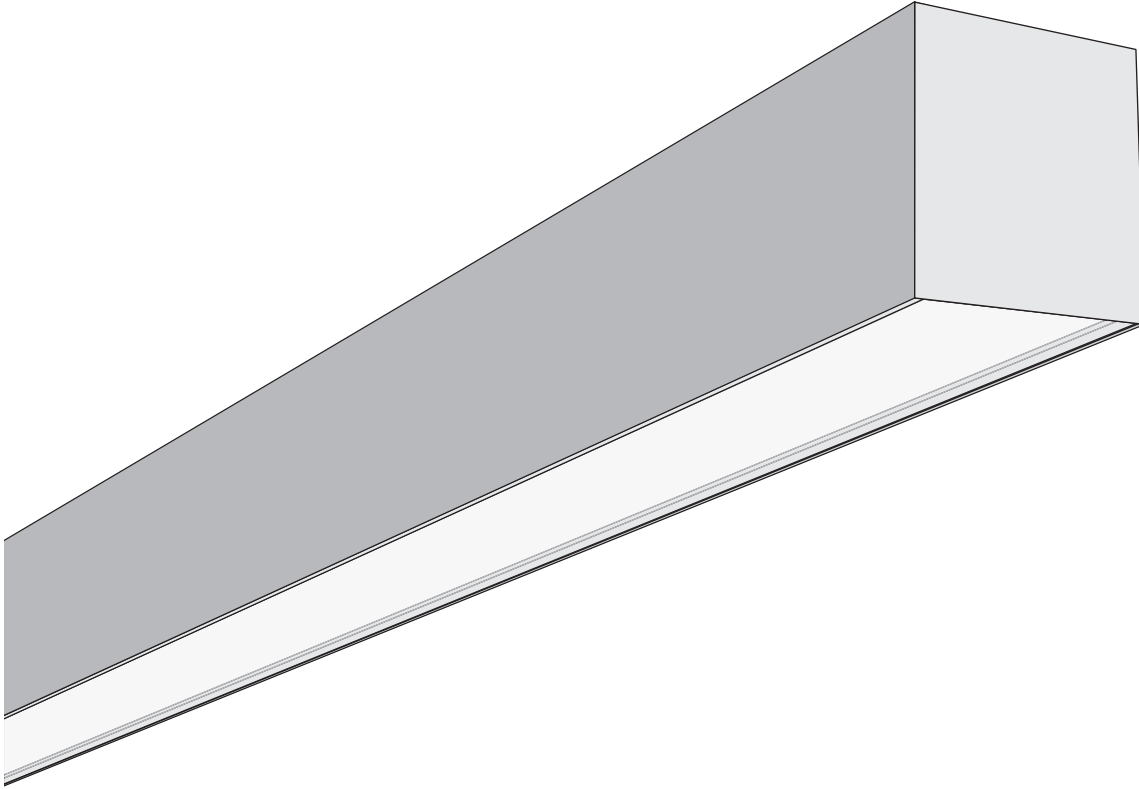


# MILLIE Linear LED Luminaire

## Installation instructions

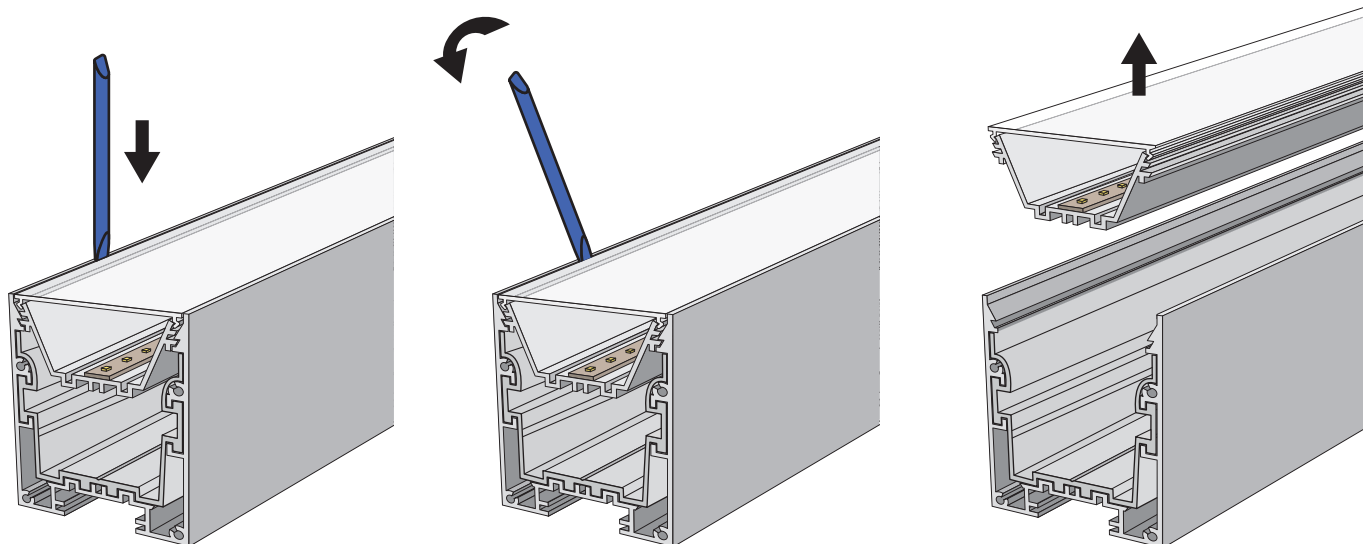


MIL/*/05/****	L= 570mm
MIL/*/08/****	L= 850mm
MIL/*/11/****	L= 1130mm
MIL/*/14/****	L= 1410mm
MIL/*/16/****	L= 1690mm
MIL/*/19/****	L= 1970mm
MIL/*/22/****	L= 2250mm



## Removing LED

Use plastic tool to remove the gear tray.

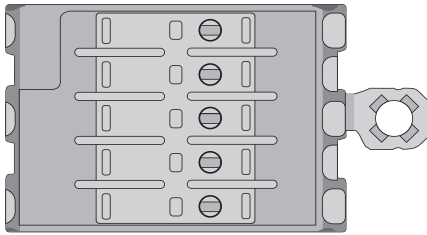


Drill hole for cable entry as required.  
Mains must be powered off.



# Wiring Information

3  
N  
E  
1  
2



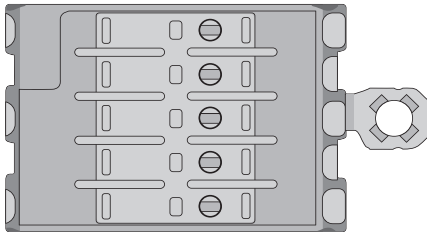
## Standard

n/c  
Neutral  
Earth  
Live  
n/c

## Standard with Emergency

n/c  
Neutral  
Earth  
Switched Live  
Permanent Live

L  
N  
E  
DA+  
DA-

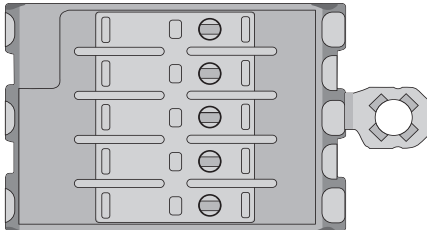


## Dali

Neutral  
Earth  
Live  
Dali+  
Dali-

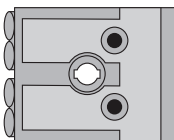
## Dali with Emergency

3  
N  
E  
1  
2



n/c  
Neutral  
Earth  
Switched Live  
Permanent Live

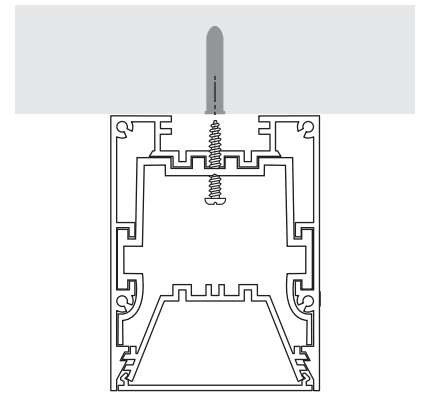
DA+  
DA-



Dali+  
Dali-

## Surface mounting

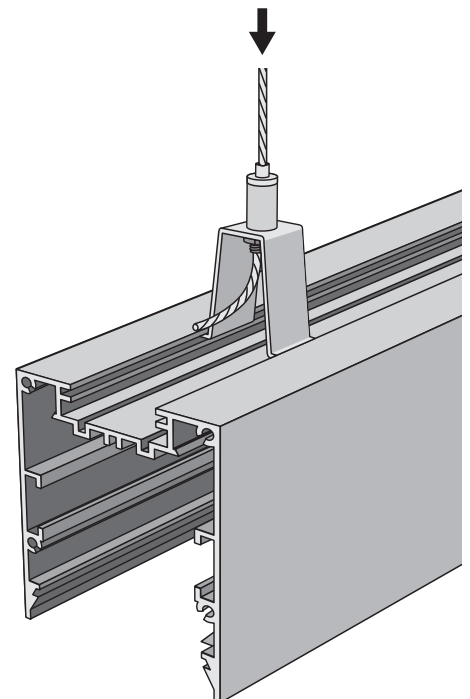
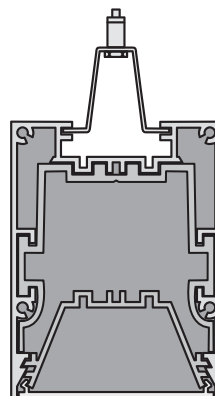
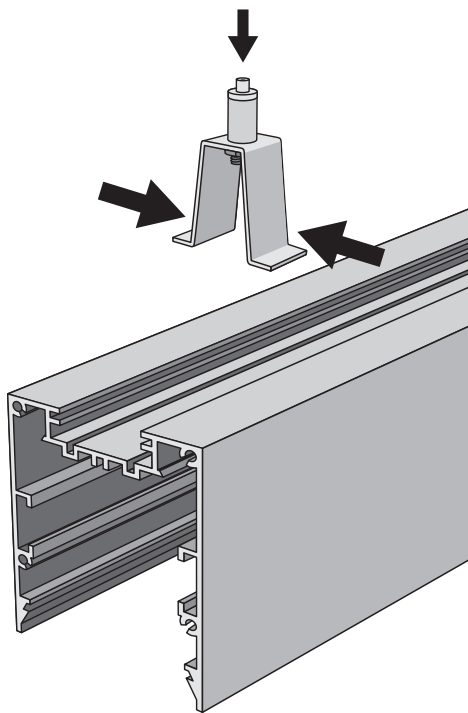
Drill holes for surface mounting as required.



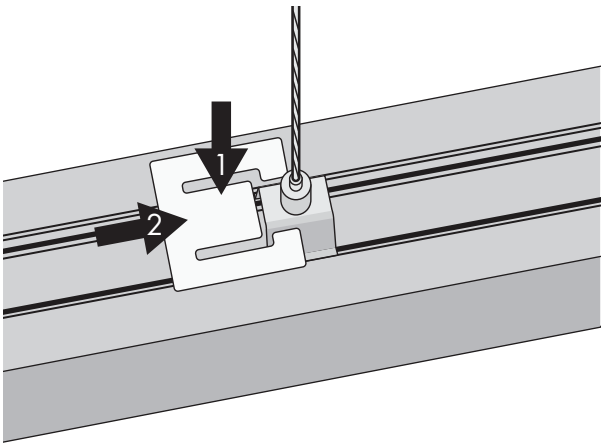
Drill holes in ceiling and fix with appropriate fasteners.

## Suspended mounting

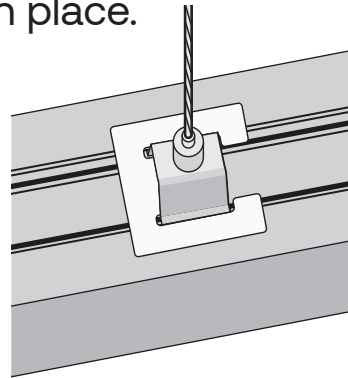
Compress the suspension clip by hand only. Do not use tool.  
Insert into the slot as shown. Suspensions to be no more than 150mm from ends.  
Minimum number of suspensions: 2 per Millie up to 2250mm and 3 per Millie over 2250mm. Suspensions must be installed vertically with a maximum of a 5 degree tolerance.



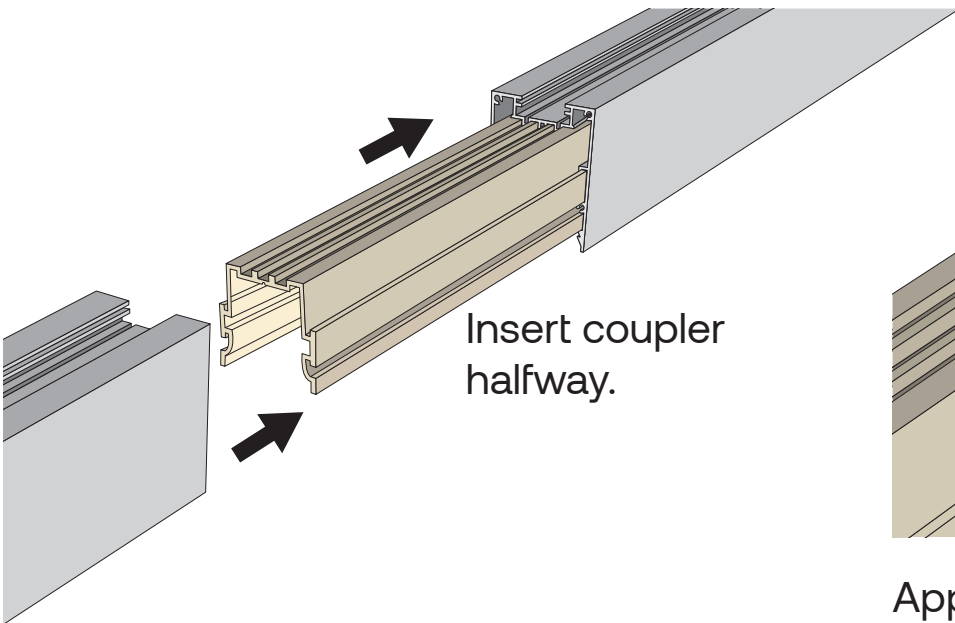
Install suspension wire to ceiling and thread into suspension clutch.



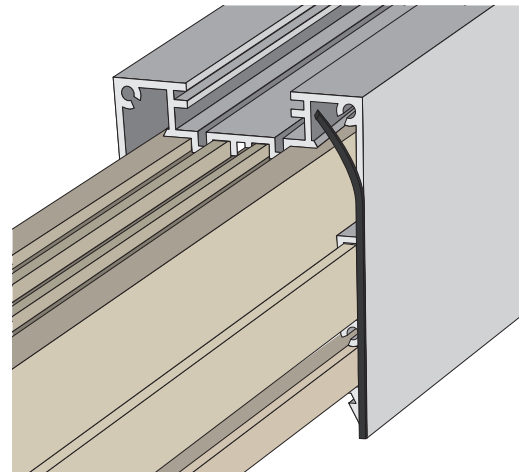
Fit packer clip as shown. Press down and then across until the arms are clipped in place.



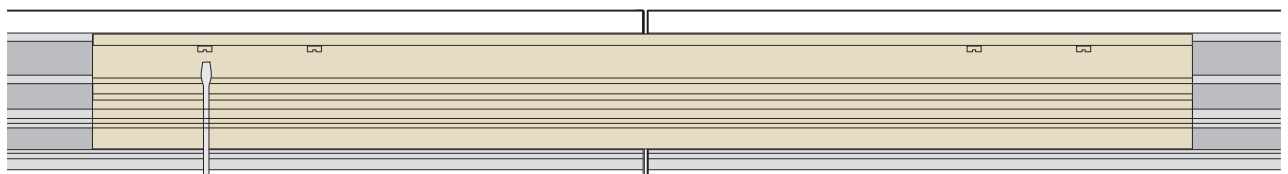
## Continuous with coupler



Insert coupler halfway.

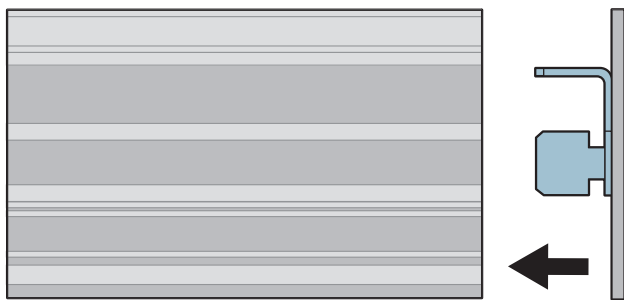


Apply gasket to joints as shown.

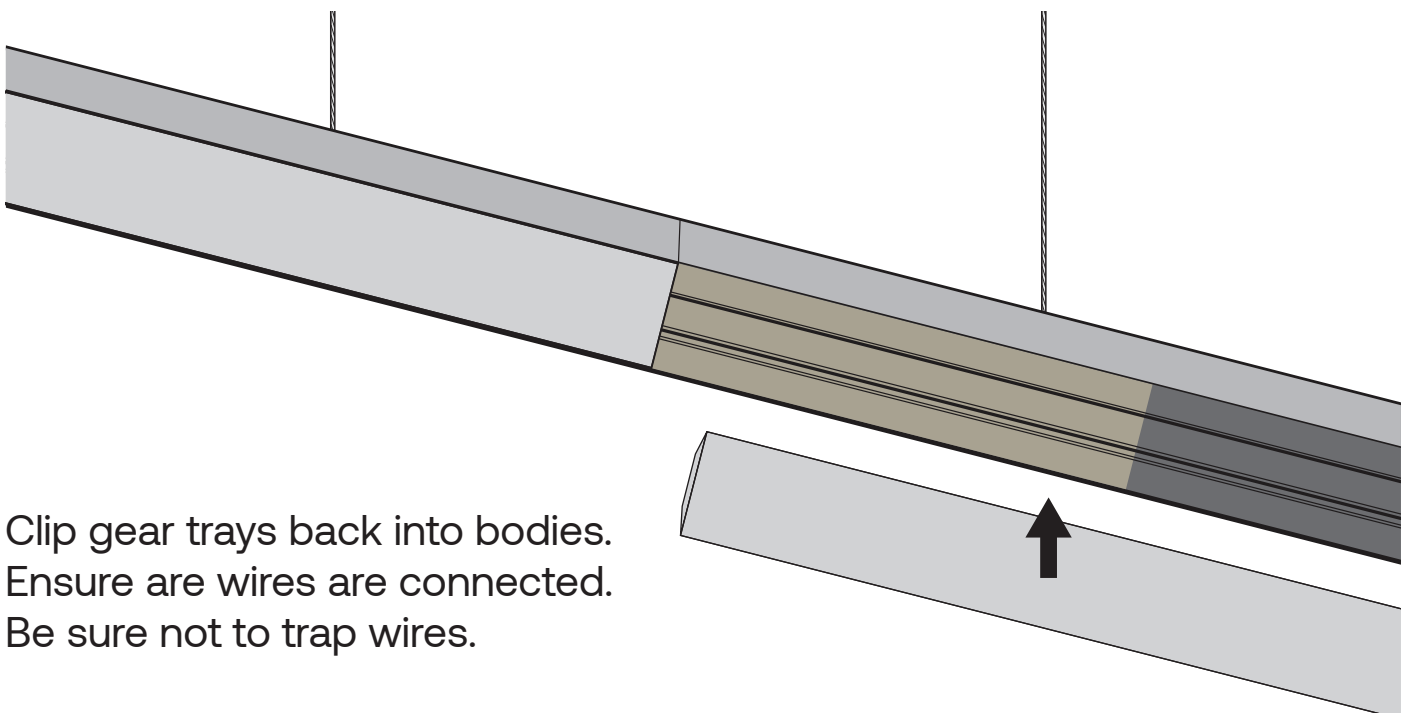
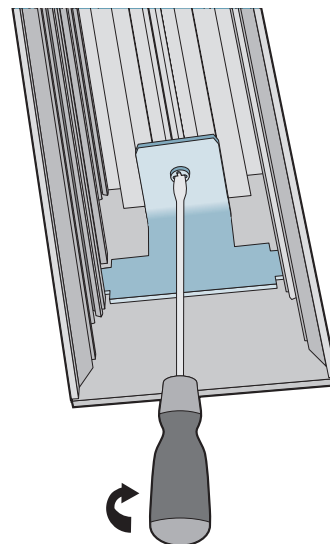
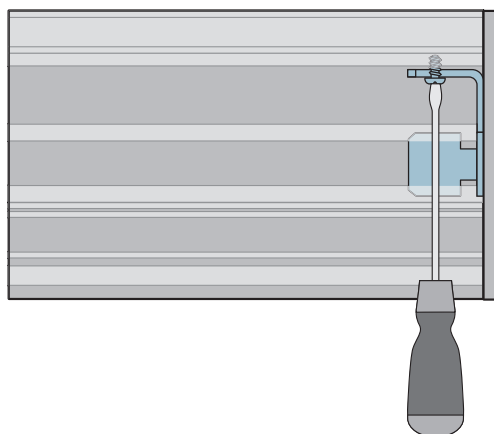


Screw in fixing x 4 as shown. Do not use power tools.

## Fit end caps



Insert endcap into extrusion.  
Screw through hole as shown.  
Do not use power tools.



Clip gear trays back into bodies.  
Ensure wires are connected.  
Be sure not to trap wires.