

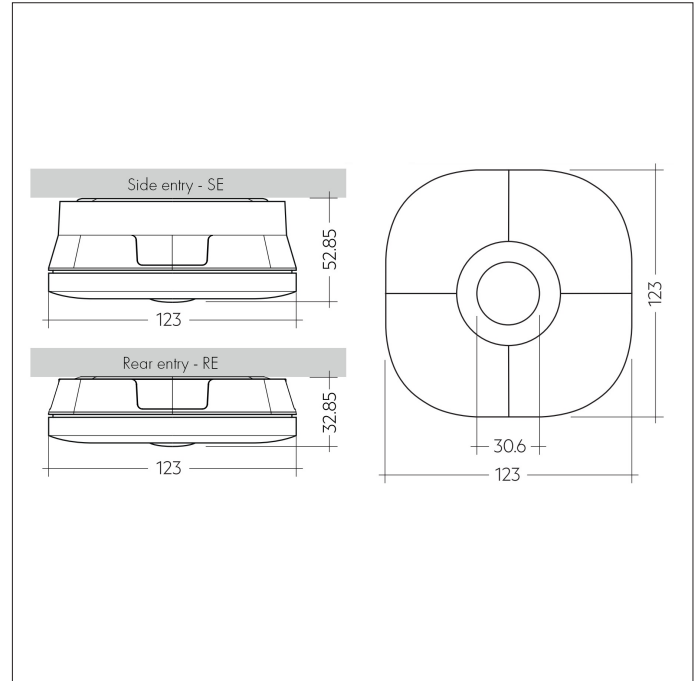
# TR2 Surface

## Emergency Spotlight

Innovation.  
Collaboration.  
Illumination.



Emergency Lighting



### Key features

- Corridor or Open Area Optic
- Compact Design
- Rear or Side Entry
- Lithium Iron Phosphate battery

### Options

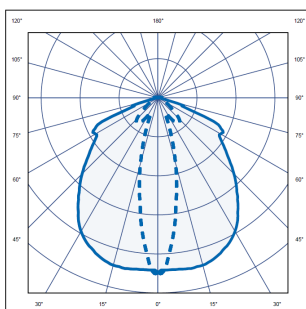
- For side cable entry suffix: /SE
- For rear cable entry suffix: /RE
- For black finish suffix: /BLK
- For white finish suffix: /WHI

i.e.: TR2 surface, 3W, non-maintained, rear entry, white finish  
= TR2/SF/3/NM/RE/WHI

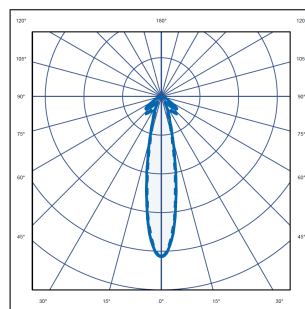
Part No.	Lm	W	Lm/W	Weight	CCT
TR2/SF/3/SP	206	2	103	0.3kg	6500K
TR2/SF/3/OA	208	2	104	0.3kg	6500K
TR2/SF/3/COR	217	2	109	0.3kg	6500K

For more information, please contact [Sales@ldl.lighting](mailto:Sales@ldl.lighting)

### Corridor



### Spot



### Open Area

