

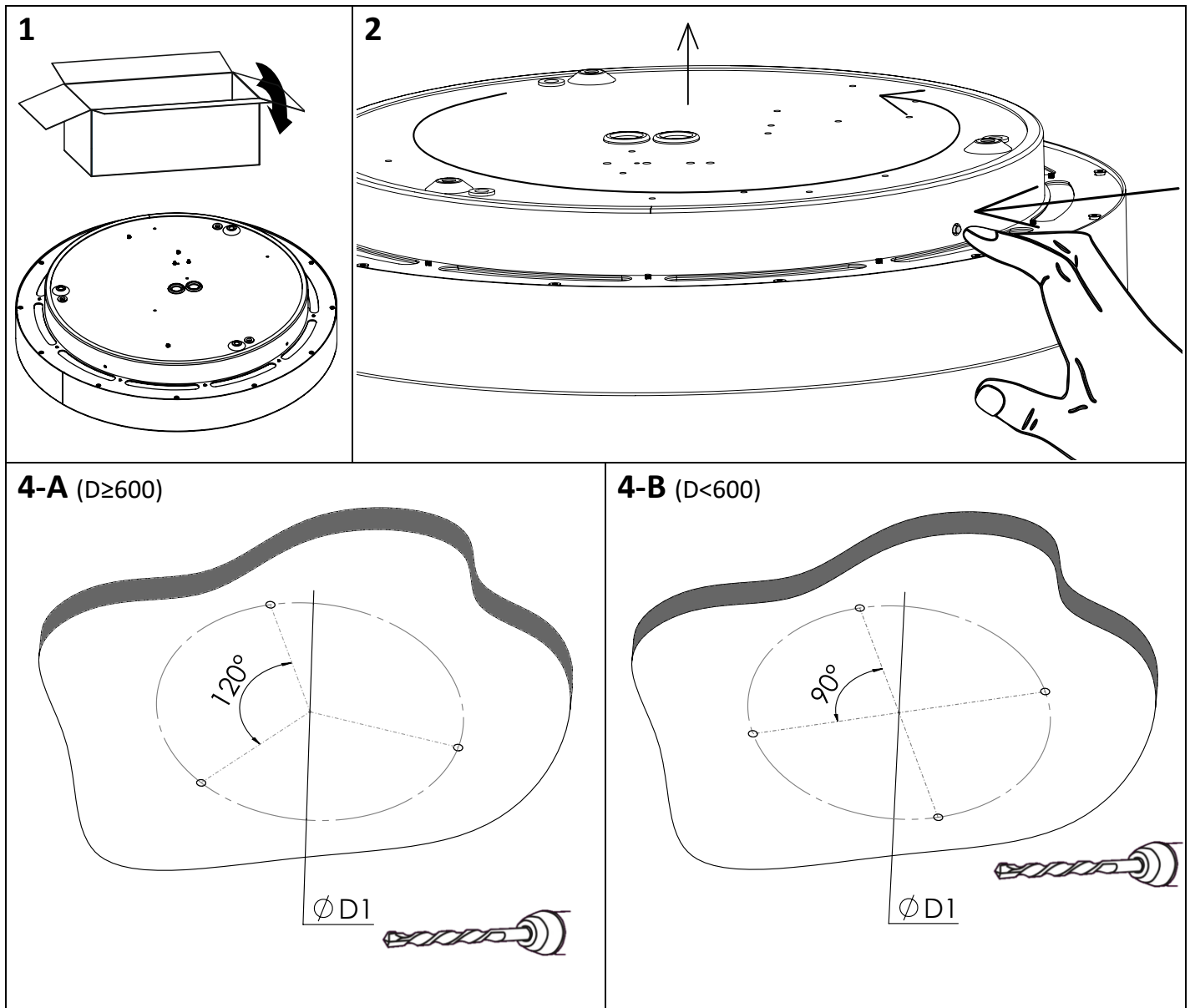
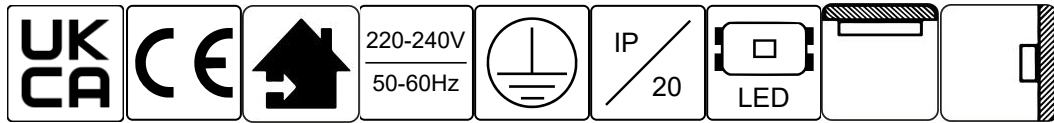
Installation instruction


CAUTION!
 RISK OF ELECTRIC SHOCK

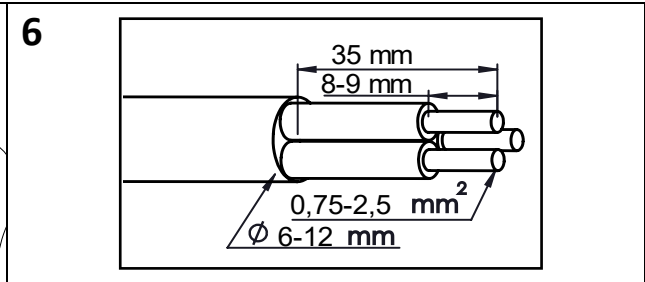
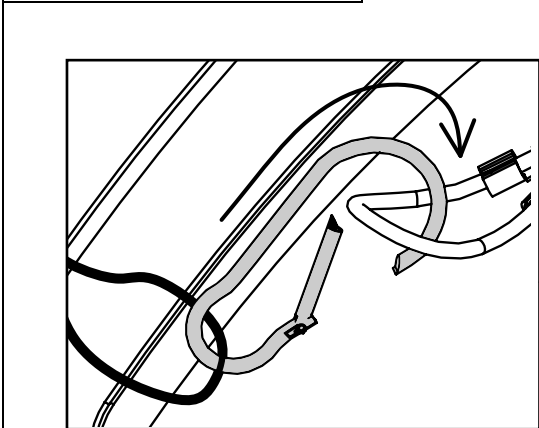
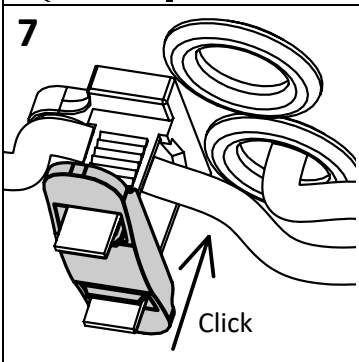
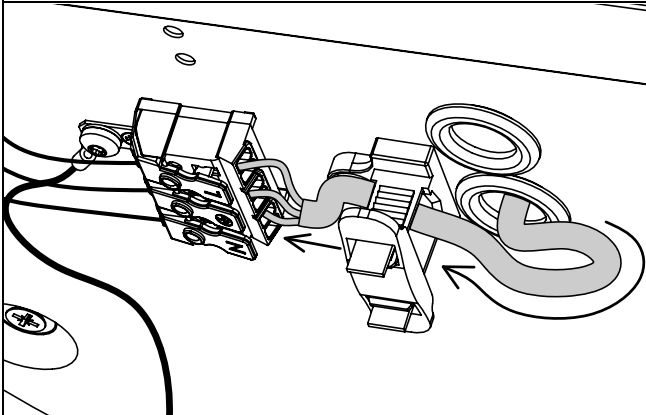
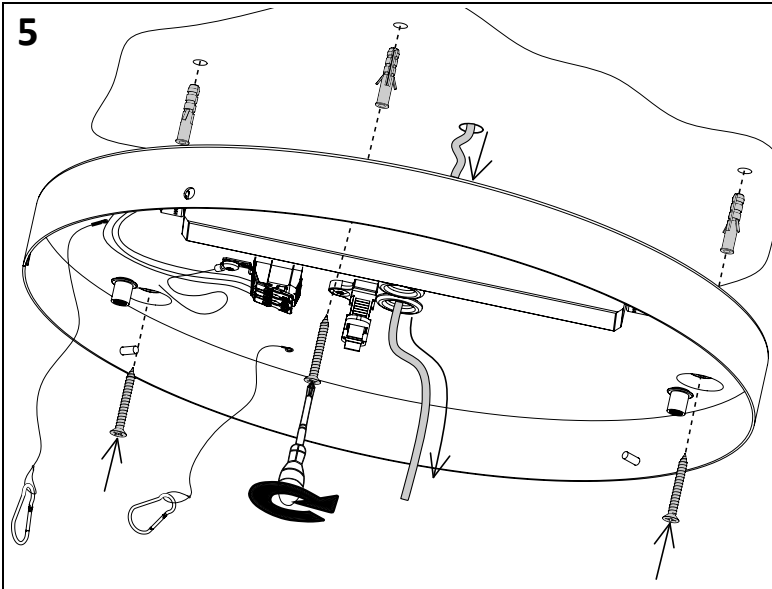
Please read and understand all of the directions, before starting luminaire installation. Keep this instruction for future use.

The light source contained in this luminaire shall only be replaced by the manufacturer or his service agent.

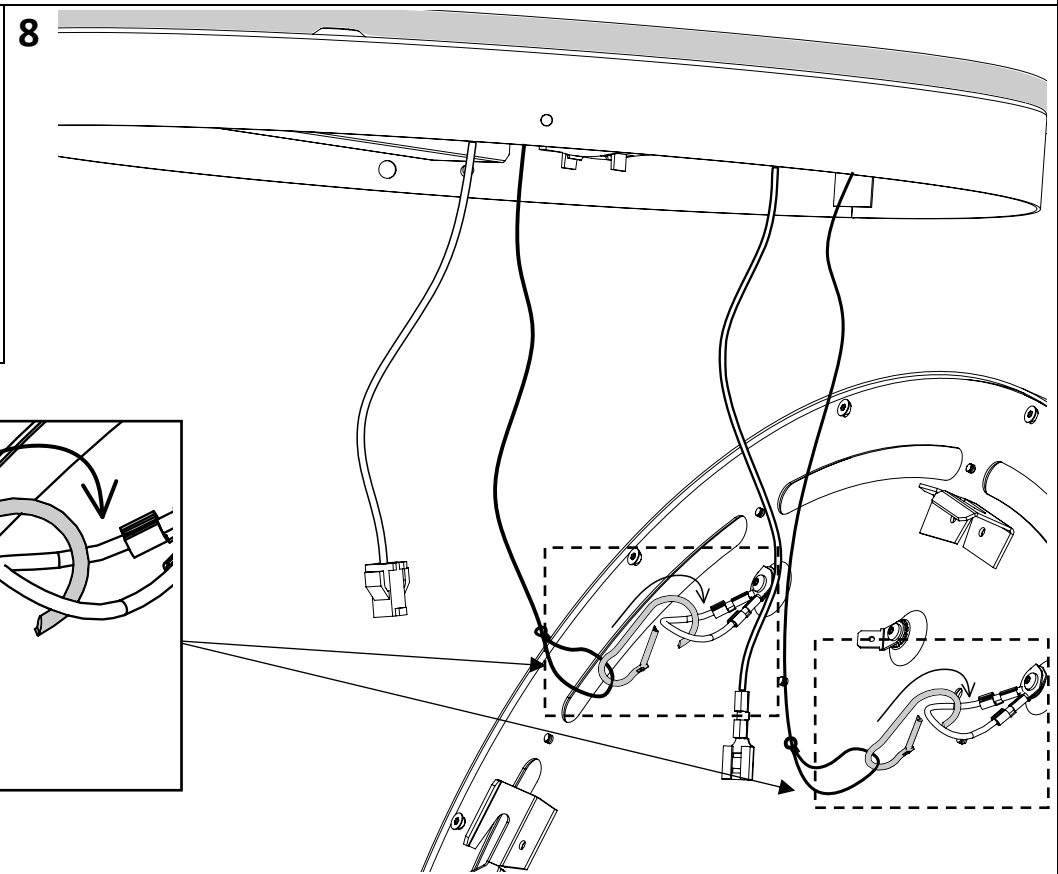
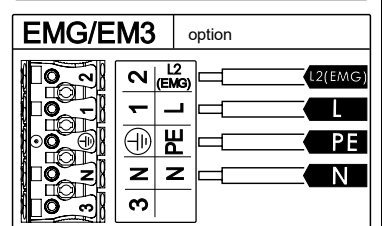
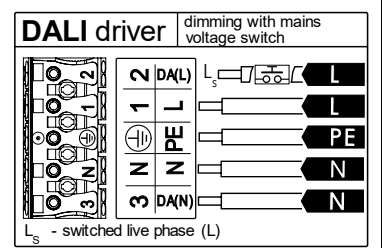
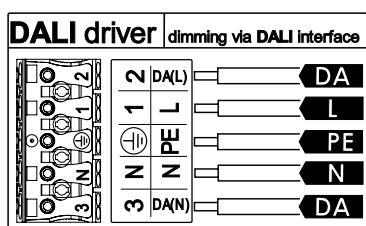
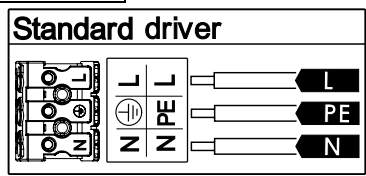
Installation can only be performed by an authorized electrician; Switch off the electricity supply before carrying out any work; Luminaire must be installed in compliance with all safety requirements; Attention! The exact model of the fixture marked on a label inside it.



Noma - 450/600/900

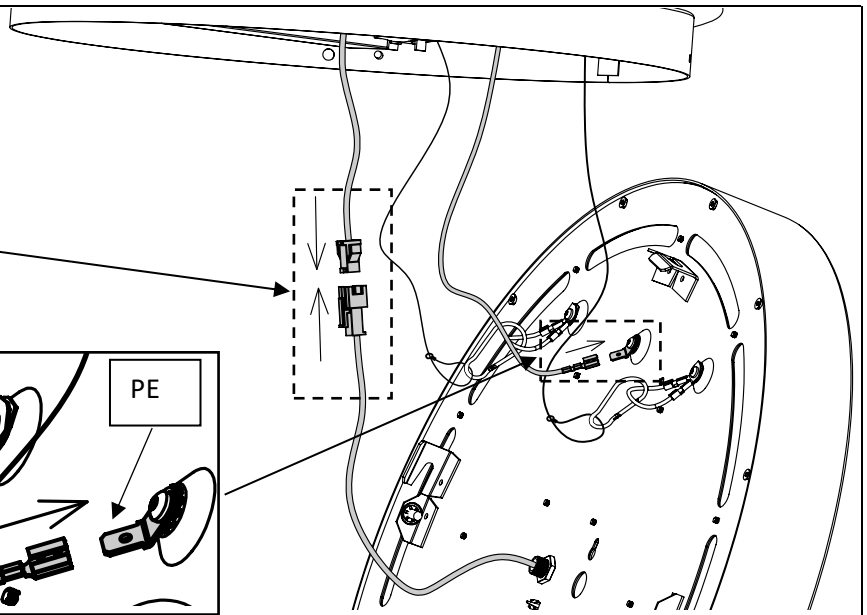
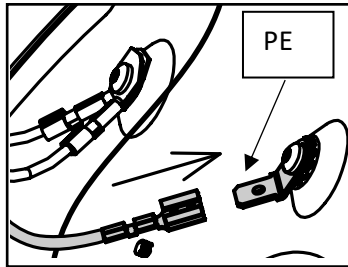
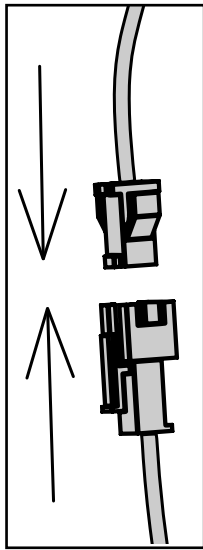


- L - brown
- PE () - yellow-green
- N - blue
- L2(EMG) / DA(L) - black
- DA(N) - grey

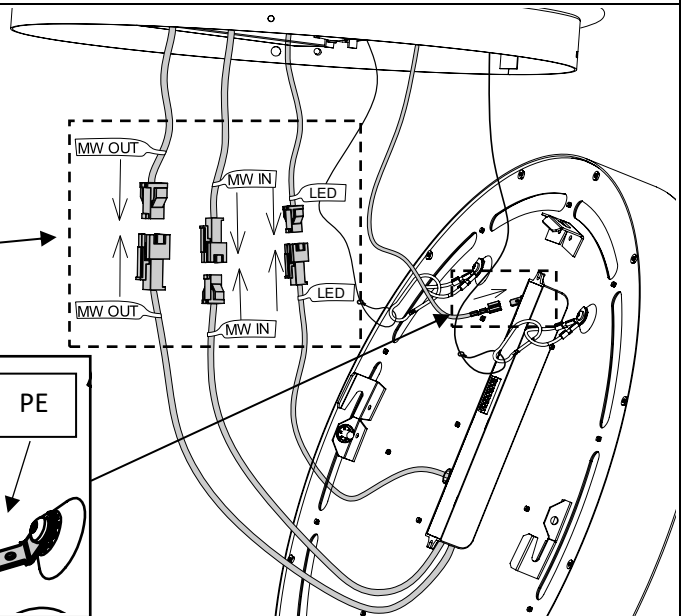
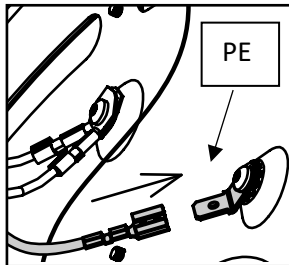
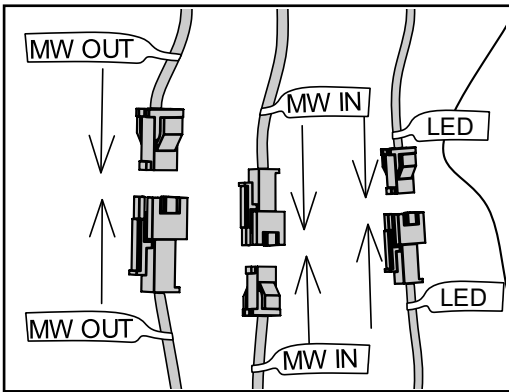


Information is subject to change without notice

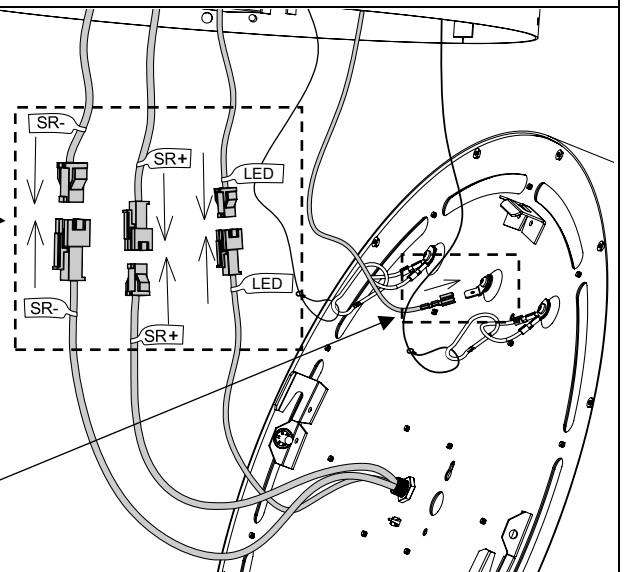
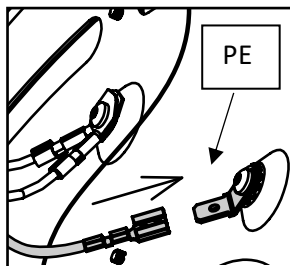
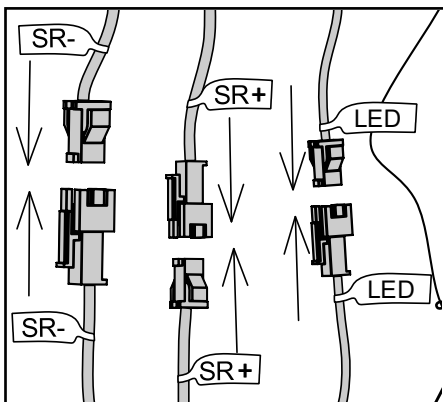
7.A (Standard)



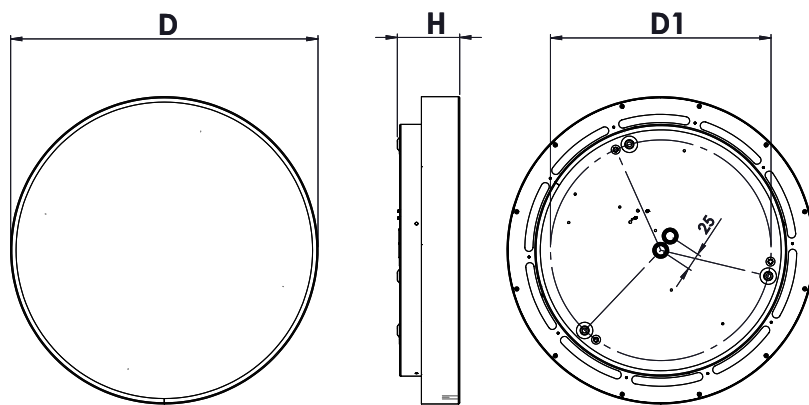
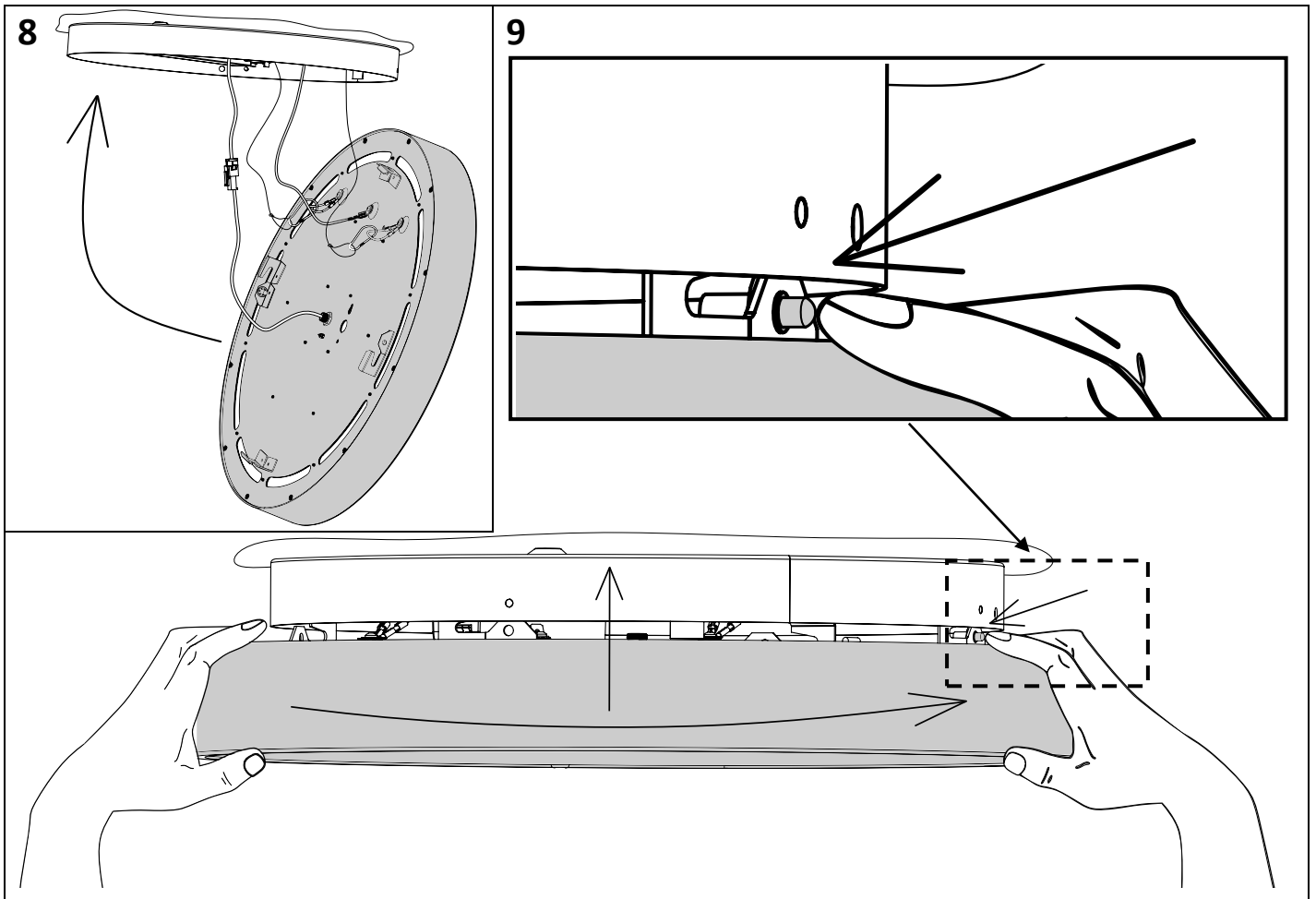
7.B (MW option)



7.C (EAIR option)



Noma - 450/600/900



D mm	H mm	D1 mm
450	92	324
600		474
900		774



IMPORTANT INFORMATION FOR CORRECT DISPOSAL OF THE PRODUCT IN ACCORDANCE WITH EC DIRECTIVE 2002/96/EC.

At the end of its working life, the product must not be disposed of as urban waste. It must be taken to a special local authority differentiated waste collection centre or to a dealer providing this service.

Disposing of a household appliance separately avoids possible negative consequences for the environment and health, deriving from inappropriate disposal and enables the constituent materials to be recovered to obtain significant savings in energy and resources. As a reminder of the need to dispose of household appliances separately, the product is marked with a crossed-out wheeled dustbin.

Information is subject to change without notice