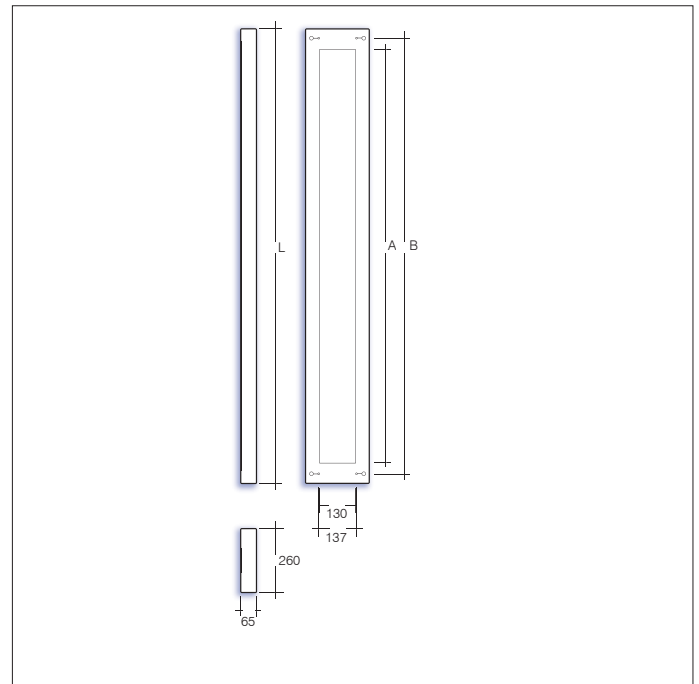


Indoor Lighting



Overview

The Lucie LED suspended luminaire incorporates the latest in LED technology and design resulting in a commercial luminaire that meets the highest of specifications.

The luminaire can be installed individually or linked together, via a coupler accessory, to form longer linear sections.

Tridonic LED boards and power supplies are fitted with a specifically designed diffuser material to achieve an excellent lumen performance whilst maintaining a low level of glare. The result is a pleasing appearance and excellent performance which makes the luminaire ideal for most commercial office applications.

Various lumen outputs and wattages are available with two sizes of luminaire to give maximum flexibility. A number of other variations are available including DALI dimmable and self-contained emergency.

Supplied with 2m suspensions as standard. 3000K CCT available on request. Direct only variation available on request.

Options

- Linear inter-connecting option suffix /LIN
- For DALI Dimmable suffix /DIM
- For self-contained 3hr emergency suffix /EMR
- For monitor 3hr self-test emergency suffix /MON
- For DALI em-pro 3hr emergency suffix /EMP

i.e. **LUC/4630/4/DIM/EMP =**

Lucie LED Direct/In-direct, suspended luminaire, 4630lm, 4k, DALI Dimmable c/w DALI Em-Pro 3hr emergency

Part No.	W	Lm	lm/W	CCT	Weight
LUC/3200/4	30	3200	107	4000	4000
LUC/3630/4	32	3630	113	4000	4000
LUC/4063/4	35	4063	116	4000	4000
LUC/4506/4	38	4506	118	4000	4000
LUC/5593/4	51	5593	110	4000	4000

More outputs available, see www.LDL.lighting

Key Features

- IP20 suitable for indoor environments
- Impact rating of IK06
- Efficacy of up to 118lm/W
- Nominal life-time of > 72,000 h (L80/B10)
- Colour stability with 3 step MacAdam
- High colour rendering index CRI > 80
- Emergency BLF = 334 lm

CRI > 80 supplied as standard, CRI > 90 available on request