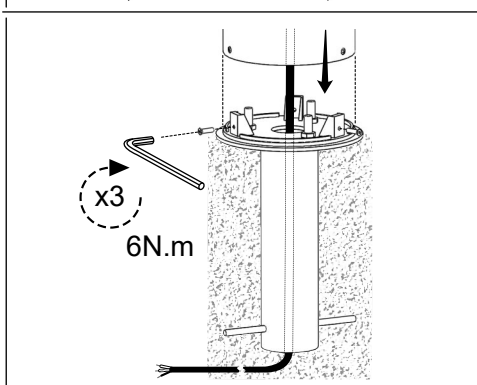
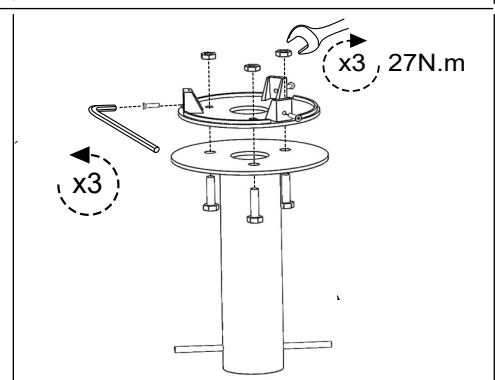
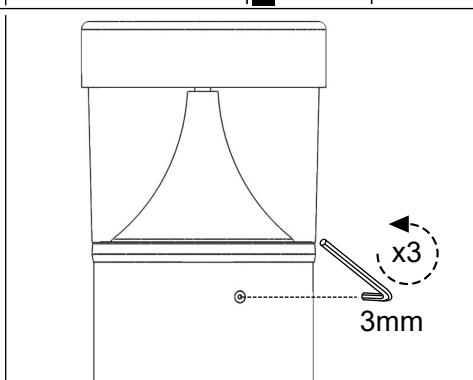
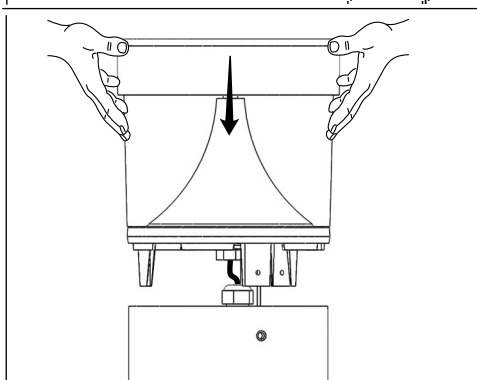
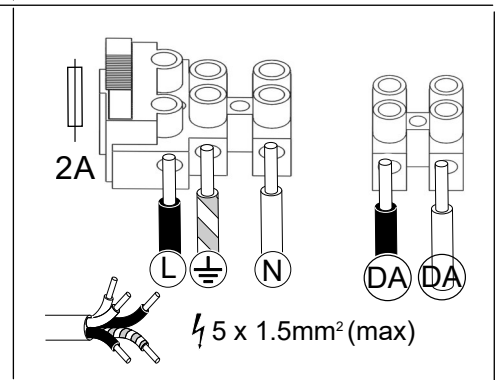
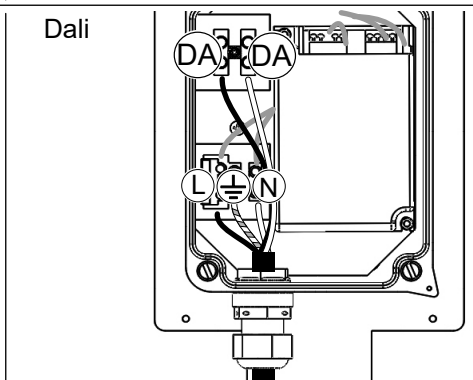
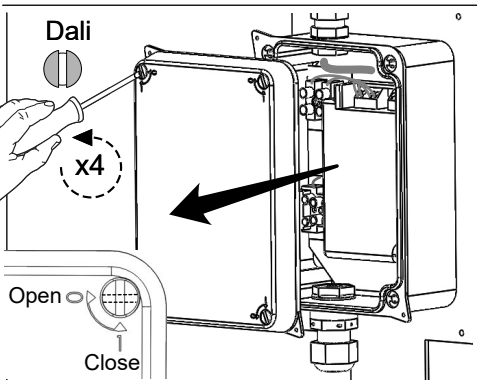
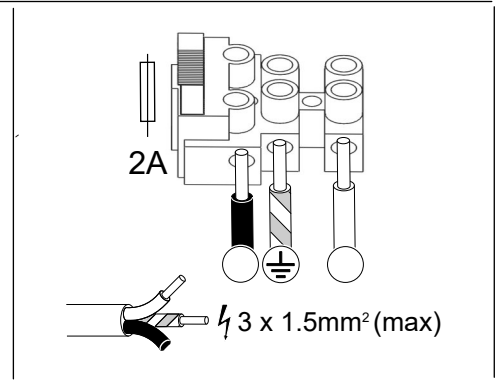
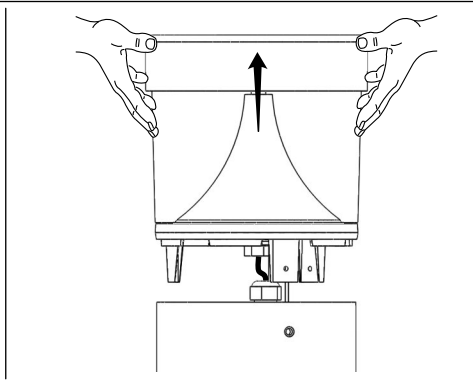
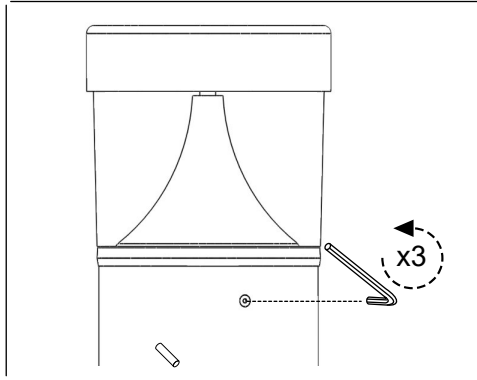


Product Range	Power (W)	Standard	Dali
Large Shelby	10	6.25	6.5
	20		
Small Shelby	10	5	5.25
	20		



Optional mounting

**Root Mounting (Standard)
Flange Plate + Root Mount**

304mm

Operation & Maintenance

Failed light source should be replaced promptly or the circuit switched off to avoid possible damage to control gear.

Important - Safety

Before carrying out any servicing on these luminaires, ensure that the mains supply is fully isolated.

Disconnect the luminaire before insulation testing of the installation.

The light source contained in this luminaire shall only be replaced by the manufacturer or his service agent or a similar qualified person.