



LDL Lighting Ltd
Unit 3 Stonehouse Road
Martland Mill Business Park
Wigan
WN5 0LE

T - 01942 629 179
W - www.ldl.lighting

DESCRIPTION
JP INSTALLATION AND MOUNTING
OPTIONS

PART CODE
JP/LED

MATERIAL
JP BULKHEAD

FINISH
N/A

DRAWN BY
T WILKINSON

DATE
19/04/2024

CHECKED BY
N/A

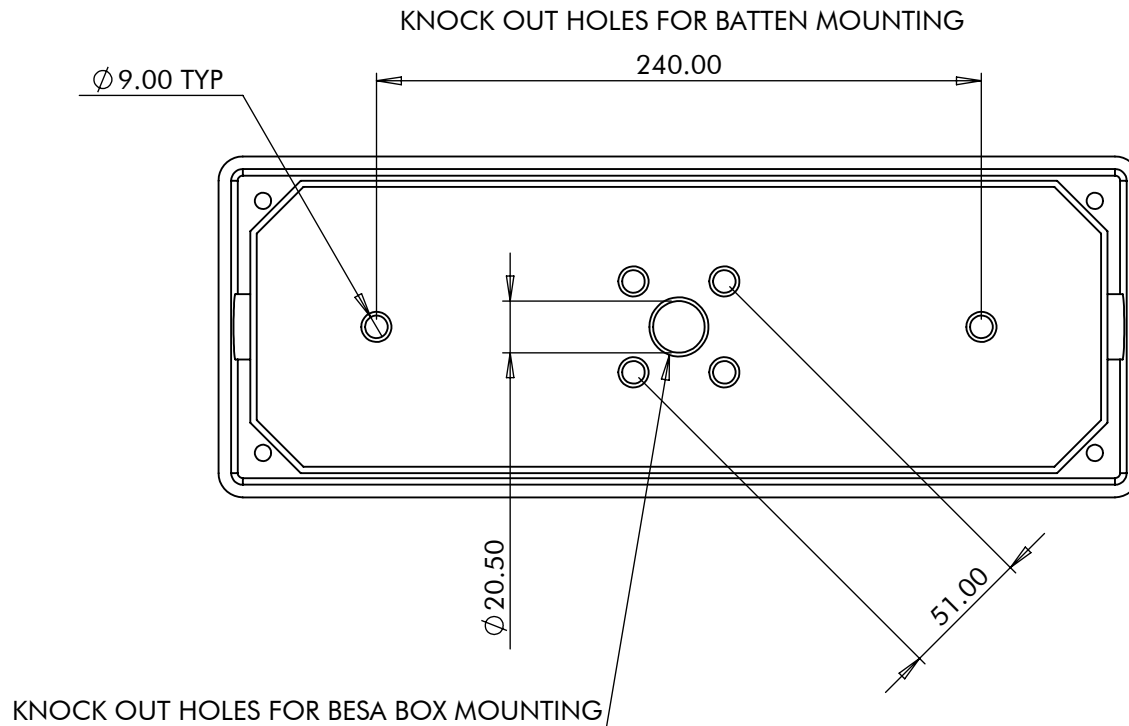
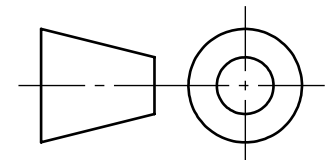
DATE
01/01/2024

INSTALLATION DRAWING

DRAWING NO. 100018 | REV. A

SCALE 1:3 | SHEET 1 OF 1

THIRD ANGLE PROJECTION



NOTE; WHEN KNOCKOUTS ARE USED THE LUMINAIRE MUST THEN BE RESEALED USING APROPRIATE FASTENERS AND SEALANTS

A4