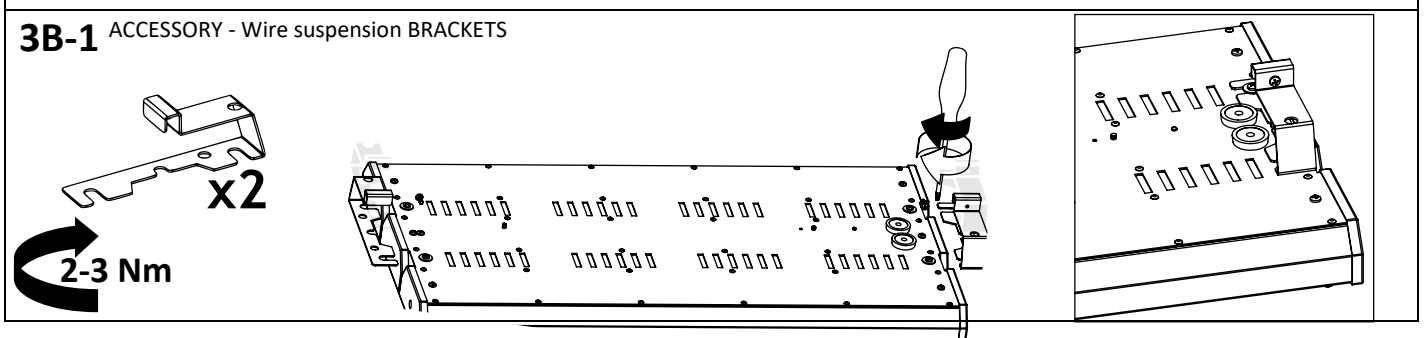
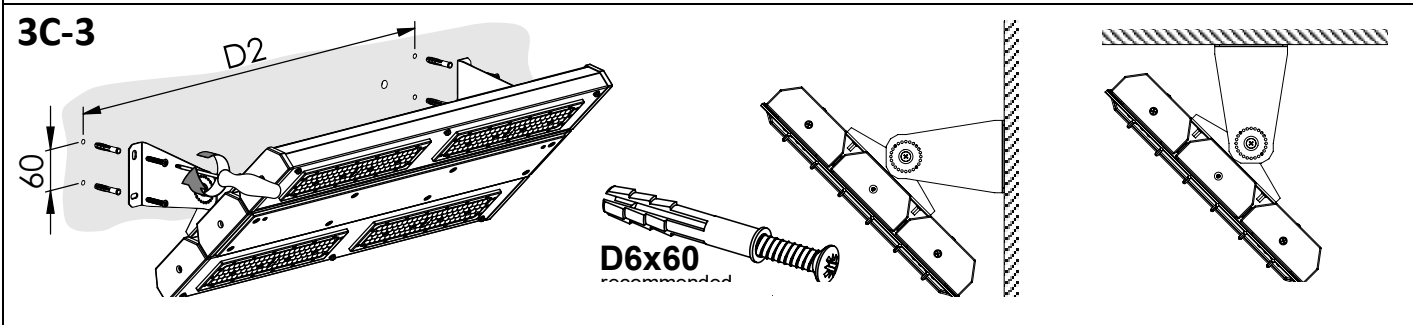
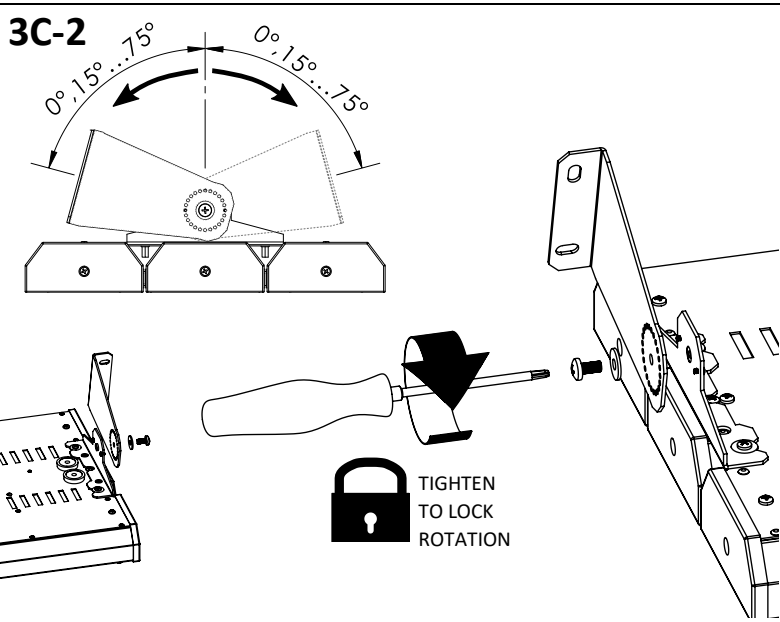
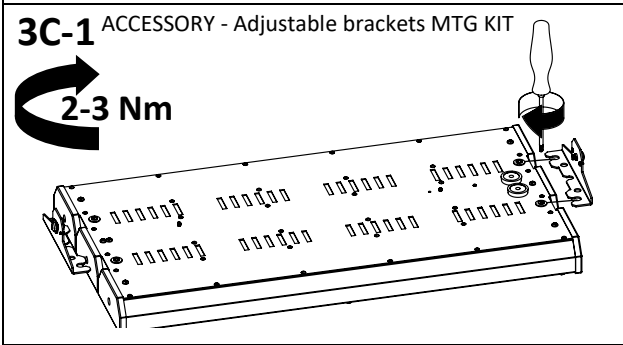
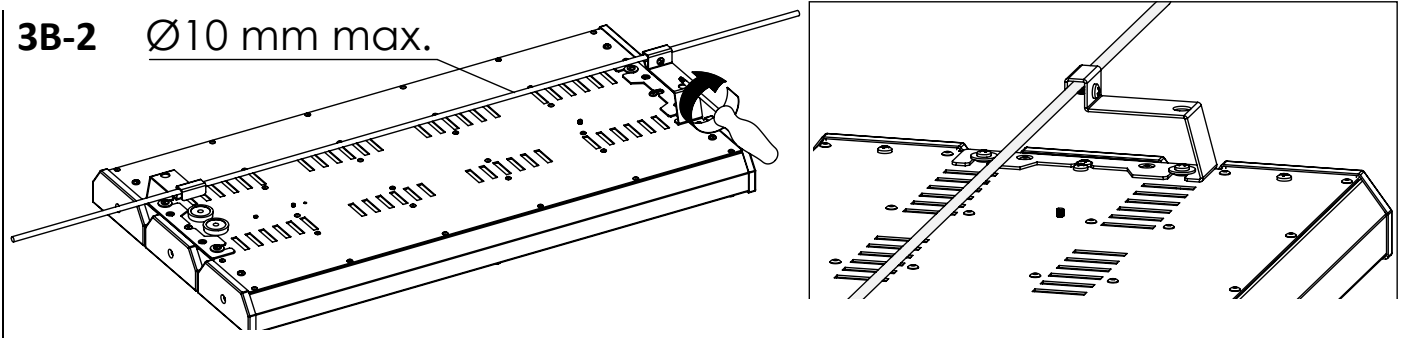


\*Mandatory for SPORT option





**4**

35 mm

0.75-2.5 mm<sup>2</sup>

8 - 9 mm

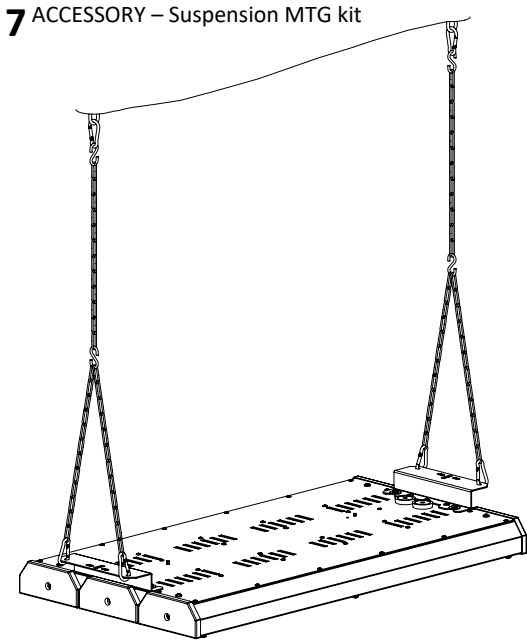
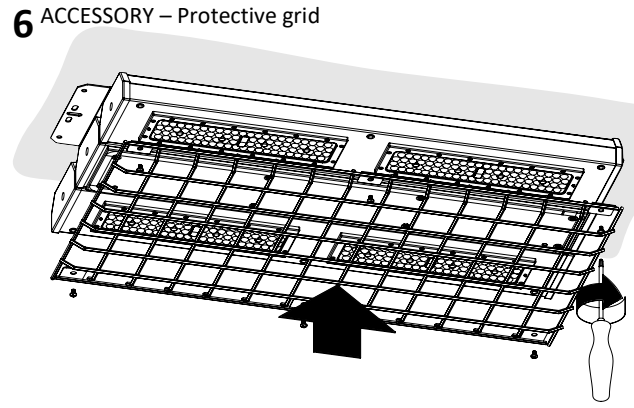
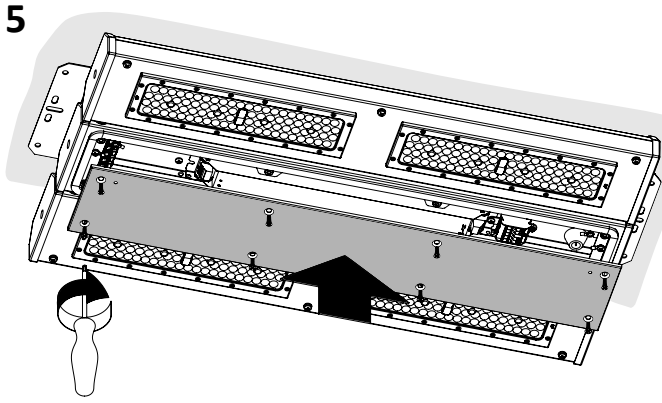
standard driver	no dimming

DALI driver	dimming via DALI interface

DALI driver	dimming with mains voltage switch

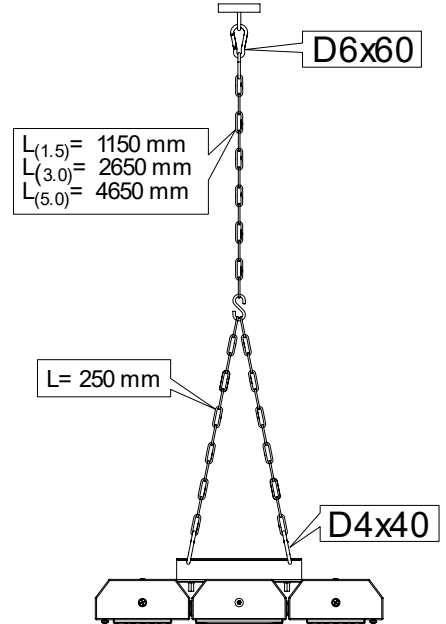
L - brown  
 PE(⊕) - yellow-green  
 N - blue  
 DA - black  
 DA - grey

L<sub>s</sub> - switched live phase (L)

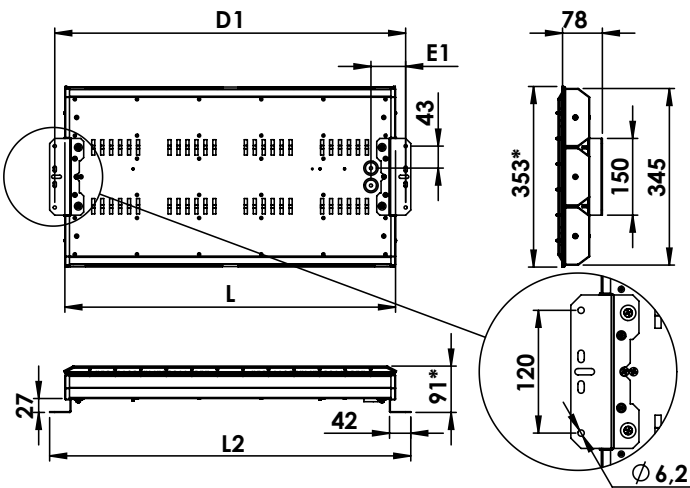


### Suspension MTG kit

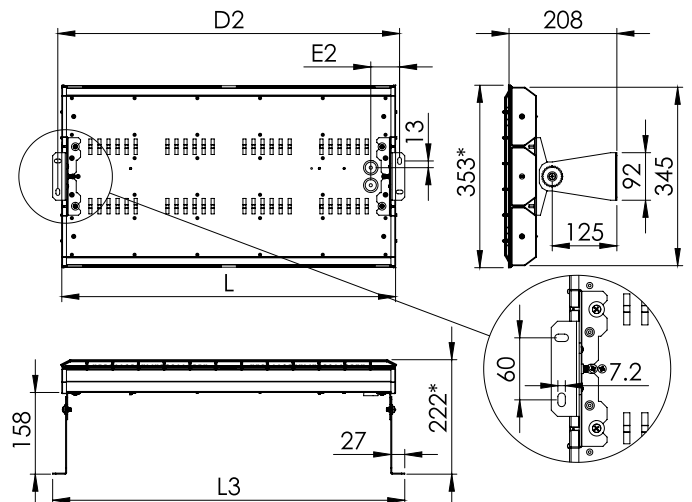
<b>x2</b>		L(1.5) = 1150 mm L(3.0) = 2650 mm L(5.0) = 4650 mm
<b>x4</b>		L = 250 mm
<b>x4</b>		D4x40
<b>x2</b>		D6x60
<b>x4</b>		



### STANDARD

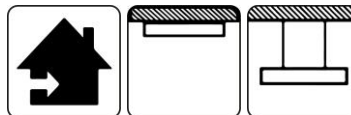


### with Adjustable brackets MTG KIT



\* EN height with protective grid

L, mm	L2, mm	L3, mm	D1, mm	D2, mm	E1, mm	E2, mm	weight, kg
435	495	470	475	450	62	50	4.40
645	705	680	685	660	68	56	7.30
945	1005	980	985	760	68	56	11.00



EN



**CAUTION!**

RISK OF ELECTRIC SHOCK

The light source contained in this luminaire shall only be replaced by the manufacturer or his service agent or a similar qualified person.

Installation can only be performed by an authorized electrician; Switch off the electricity supply before carrying out any work; Luminaire must be installed in compliance with all safety requirements; Attention! The exact model of the fixture marked on a label inside it.

IMPORTANT INFORMATION FOR CORRECT  
DISPOSAL OF THE PRODUCT IN ACCORDANCE  
WITH EC DIRECTIVE 2002/96/EC.

At the end of its working life, the product must not be disposed of as urban waste. It must be taken to a special local authority differentiated waste collection centre or to a dealer providing this service.

Disposing of a household appliance separately avoids possible negative consequences for the environment and health, deriving from inappropriate disposal and enables the constituent materials to be recovered to obtain significant savings in energy and resources. As a reminder of the need to dispose of household appliances separately, the product is marked with a crossed-out wheeled dustbin.