

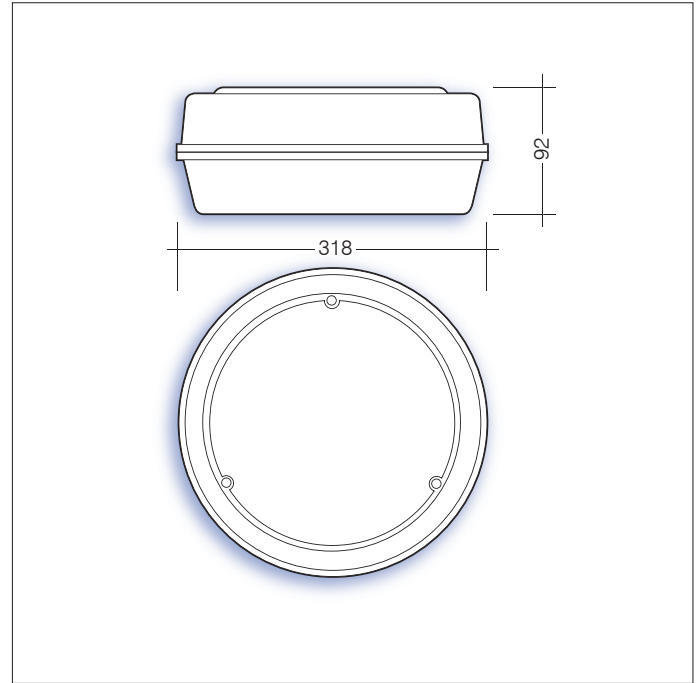
LDB Circular

Polycarbonate Base Bulkhead

Innovation.
Collaboration.
Illumination.

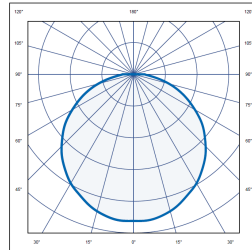


Indoor Lighting



Key features

- IP65 suitable for external environments
- Impact rating of IK10
- Efficacy of up to 133lm/W
- Nominal life-time of 81,000 h (L80/B10)
- Colour stability with 3 step MacAdam
- High colour rendering index CRI > 80
- Emergency BLF = 358 lm
- Suitable for side conduit entry
- Black or white polycarbonate base available
- Fitted with a hinged gear tray



Options

- For white base option suffix /W
- For black base option suffix /B
- For DALI dimmable option suffix /DIM
- For Casambi enabled suffix /CAS
- For wireless dimmable suffix /WD
- For 3hr self-contained emergency suffix /EMR
- For 3hr self-test emergency suffix /ST
- For DALI addressable emergency suffix /EMP
- For wireless addressable emergency suffix /WAE

Sensor Options

- On-off, no daylight control suffix /F1
- On-off, with daylight control suffix /F2
- Corridor function, no daylight control suffix /F3
- Corridor function, with daylight control suffix /F4
- Dimm to off, no daylight control suffix /F5
- Dimm to off, with daylight control suffix /F6

i.e. LDB/2820/4/C/W/F3/ST =

LDB bulkhead, 2823 lm, 22W, 4000K, circular, white c/w sensor, corridor function & self-test

Part No.	W	Lm	Lm/W	CCT	Sensor
LDB/1800/3/C	14	1801	129	3000K	N
LDB/1900/4/C	14	1900	136	4000K	N
LDB/2550/3/C	21	2549	124	3000K	N
LDB/2690/4/C	21	2694	131	4000K	N
LDB/1210/3/C	11	1212	113	3000K	Y
LDB/1280/4/C	11	1282	120	4000K	Y
LDB/1720/3/C	15	1722	115	3000K	Y
LDB/1820/4/C	15	1822	122	4000K	Y
LDB/2320/3/C	18	2317	128	3000K	Y
LDB/2420/4/C	18	2419	133	4000K	Y
LDB/2700/3/C	22	2705	126	3000K	Y
LDB/2820/4/C	22	2823	131	4000K	Y
LDB/3070/3/C	25	3066	123	3000K	Y
LDB/3200/4/C	25	3196	128	4000K	Y

For more information, please contact Sales@ldl.lighting