

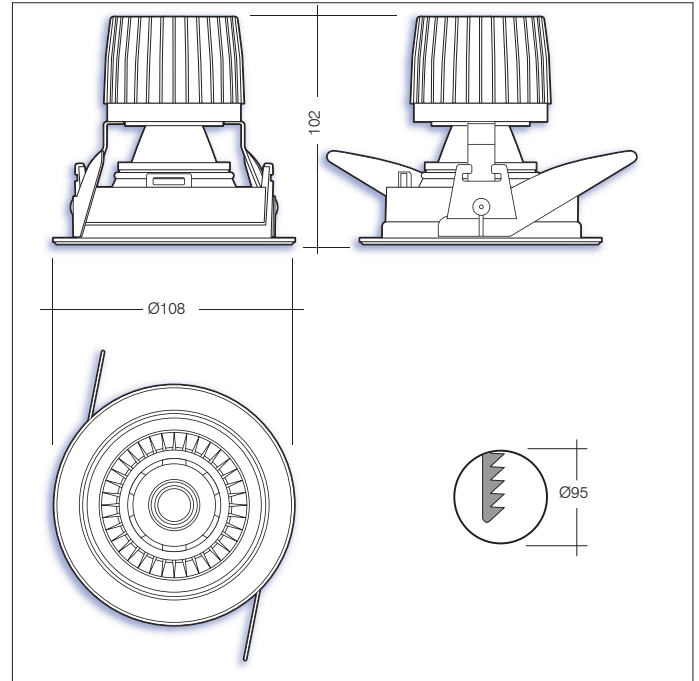
LED2000

Downlighter

Innovation.
Collaboration.
Illumination.



Indoor Lighting



Overview

The LED2000 LED downlighter is an efficient and effective downlighter suitable for various commercial and domestic applications. Its unique twin reflector design gives excellent results and performance, with efficiency as high as 100 lumens per watt achievable.

Various options are available including both 3000K and 4000K colour temperatures along with integral emergency and dimmable options including corridor function.

Options

- For corridor function suffix /COR
- For DALI dimmable suffix /DIM
- For 3hr self-contained emergency suffix /EMR
- For 3hr self-contained Monitor self-test emergency suffix /MON
- For 3hr self-contained DALI emergency suffix /EMP

i.e. **LED2000/1000/4/COR** =

LED2000 Downlight, 995 lumens, 4000K, CRI > 80 c/w corridor function

CRI > 80 as standard, CRI > 90 available on request.

White finish as standard, other finishes available on request

Part No.

| Part No. | W | L | Lm/W | CCT | CRI |
|----------------|----|------|------|-------|-----|
| LED2000/570/3 | 7 | 571 | 86 | 3000K | 80+ |
| LED2000/610/4 | 7 | 612 | 92 | 4000K | 80+ |
| LED2000/920/3 | 10 | 919 | 92 | 3000K | 80+ |
| LED2000/1000/4 | 10 | 995 | 100 | 4000K | 80+ |
| LED2000/1250/3 | 13 | 1248 | 94 | 3000K | 80+ |
| LED2000/1340/4 | 13 | 1340 | 100 | 4000K | 80+ |

More outputs available, see www.LDL.lighting

Key features

- IP20 suitable for internal environments
- Impact rating of IK04
- Efficacy of up to 100lm/W
- Nominal life-time of 50,000 h (L90/B10)
- Colour stability with 3 step MacAdam
- High colour rendering index CRI > 80
- Emergency BLF = 325 lm