



LDL Lighting Ltd

www.ldl.lighting
 sales@ldl.lighting
 Tel: 44 (0) 1942 629 179

**LD2S/2W/M3
 LD2S/2W/ST
 LD2S/3W/DALI**

ASSEMBLY INSTRUCTIONS

Technical Specification:

- Supply Voltage: 220-240V AC 50/60Hz
- Insulation Class: II
- Ingress Protection: IP40
- Emergency Duration: 3 hours
- Light Source: for M3 and ST version 2W LED for DALI version 3W
- Battery 6.4V 3.0Ah LiFEPO4 for M3 & ST
- Battery 9.6V 1.5Ah LiFEPO4 for DALI
- Battery Recharge Time: 12h
- Max Battery Temperature: 55°C
- Ambient Temperature: 0 - 40°C
- Viewing Distance: 30m
- Charge indicator: Green / Red LED
- Deep Discharge Protection DDP
- Self-Test & DALI versions available
- Surface assembly (wall)
- Assembly indoors to flat surface
- Polycarbonate body, Plexi Glass
- Maintained or Non-Maintained Operation

Important:

It is recommended that the unit is installed by a competent person ensuring the installation complies with the necessary standards. The company accept no responsibility for incorrect installation, operation or maintenance. The unit requires an unswitched supply for charging the battery and a switched supply for a maintained unit. After installation of the fitting, the battery must be charged for 24 hours.

LED indication Chart

| | | DALI | ST | M3 |
|--------------------------------|--------------------------------------|--------------------|------------------------|--------------------|
| Green Solid | Mains On No Fault | ● | ● | ● |
| Green Flash | Function Test In Progress | 0.1s On ● 0.1s Off | 0.2s On ● 2.2s Off | Not Applicable |
| | Duration Test In Progress | 1.0s On ● 1.0s Off | 0.2s On ● 2.2s Off | Not Applicable |
| | Duration Test Passed | 4.0s On ● For | 1.0s Off 7 Days | Not Applicable |
| Red Solid | Lamp Fault | ● | Not Applicable | Not Applicable |
| Red Flash | Battery Fault | 1.0s On ● 1.0s Off | 0.5s On ● 3.0s Off | 0.5s On ● 3.0s Off |
| | Lamp Fault | Not Applicable | 2 x 0.5s On ● 2.0s Off | Not Applicable |
| | Lamp & Battery Fault | Not Applicable | 3 x 0.5s On ● 1.0s Off | Not Applicable |
| | LED Driver Fault | 0.1s On ● 0.1s Off | Not Applicable | Not Applicable |
| LED Off | Mains Failure Battery OK | Off ○ | Off ○ | Off ○ |
| Red/Green Alternate | DALI Mode Identification | ◐ | Not Applicable | Not Applicable |

Testing / Commissioning:

Ensure the load is connected
 Enter the commissioning date on battery pack and connect the battery
 Switch on the unswitched supply – Check that the green charge LED illuminates
 Switch on the maintained supply – Check that the fitting illuminates as normal
 Switch off the maintained supply
 Switch off the unswitched supply – Check that the green charge led extinguishes and the fitting illuminates
 Switch on the unswitched supply

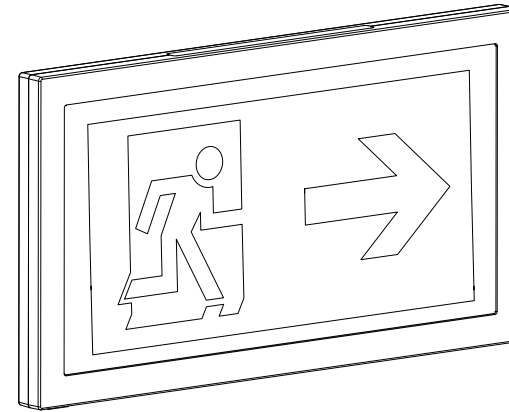
It is recommended that the batteries are renewed every 6 years. The fitting is equipped with non-replaceable LED.

Self-Test Function:

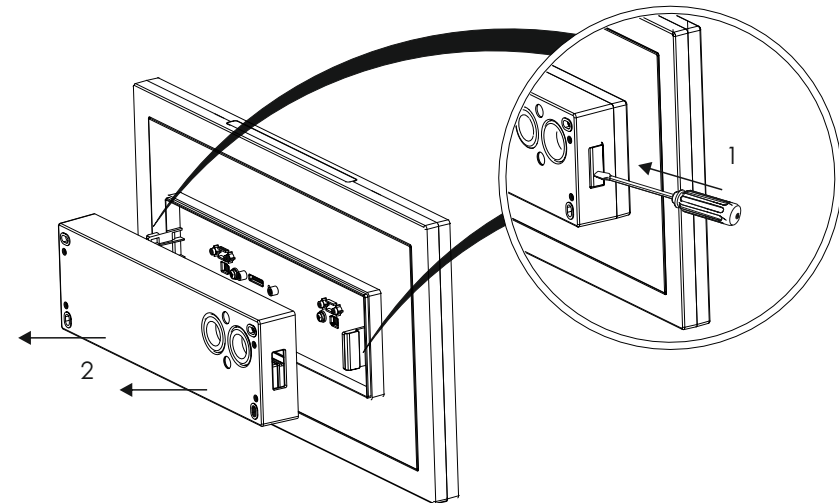
A Function Test automatically runs every 28 days. During this test the fitting is switched into emergency mode for 1 minute. During the test the battery discharge current is checked.
 A Full Duration Test automatically runs every 364 days. During this test the fitting is switched into emergency mode for 3 hours. During the test the battery discharge current and battery voltage is checked



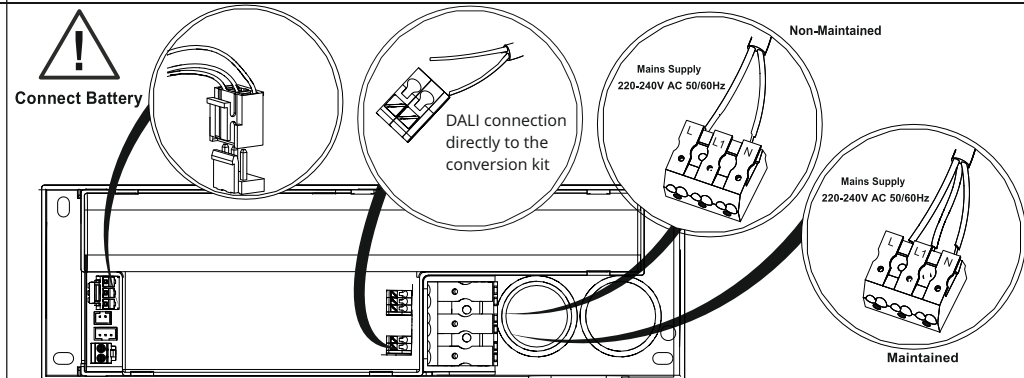
1 LD2S fitting



2 Disassembling the LD2S fitting

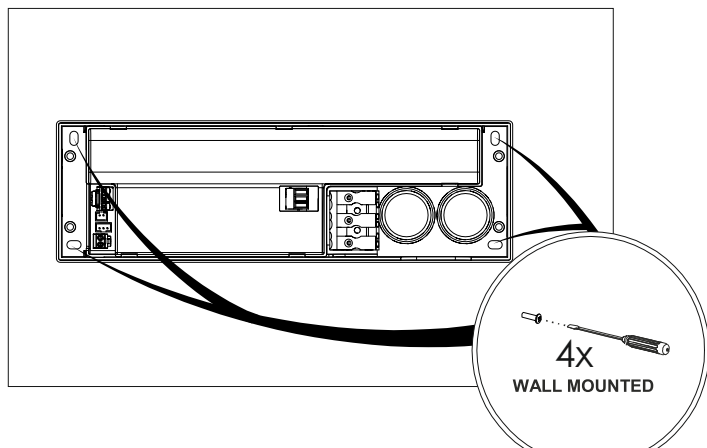


3 Connections for Maintained, Self-Test, Non-Maintained and DALI versions



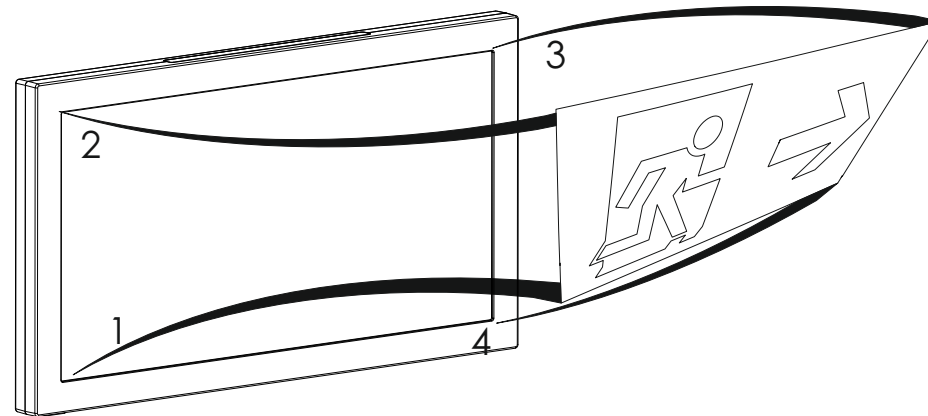
4

Mounting Details



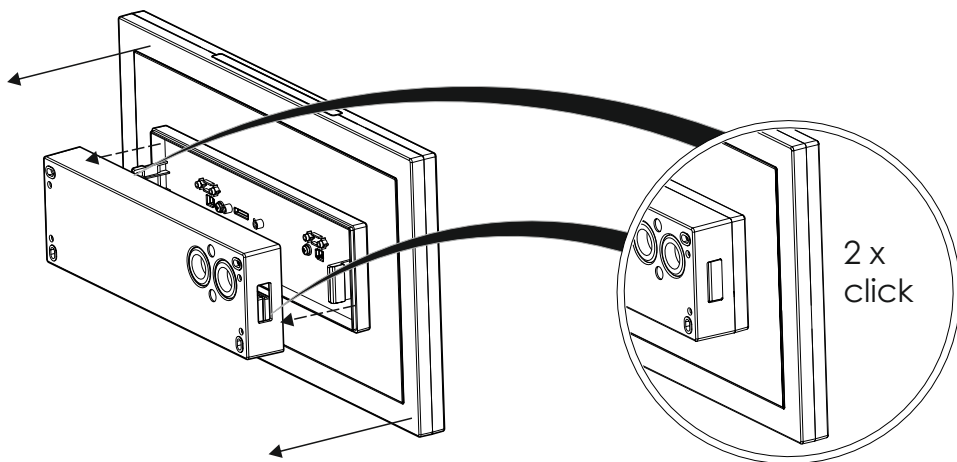
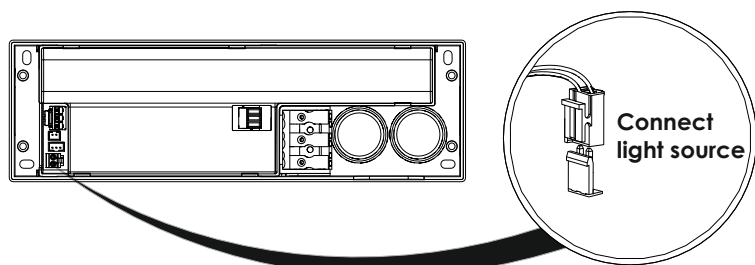
6

Fit the foil legend



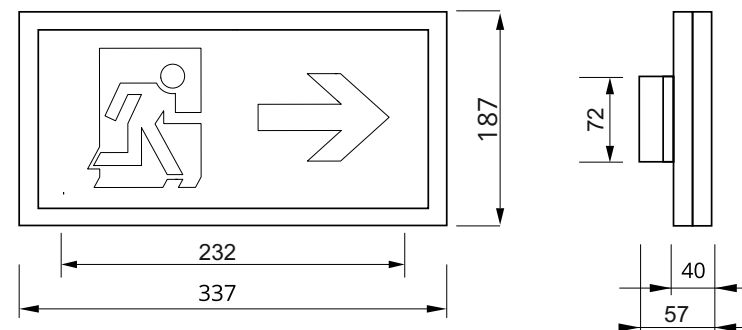
5

Assembly Instructions



7

Dimensions



8

Additional guidelines

Guidelines for installation

Ensure a permanent supply to connection L
 Ensure a switched supply connection L1
 For Non-Maintained use only L, do not connect to L1
 Ensure correct polarity of the battery
 The drawing in the fitting may vary to the actual product, connect as per label on fitting.
 When fitting a flush fitting, refer to installation instruction, including any ceiling manufacturer's instructions.