



LDL Lighting Ltd

www.ldl.lighting
sales@ldl.lighting
Tel: 44 (0) 1942 629 179

LD1R/2W/M3/
LD1R/2W/ST/**
LD1R/3W/DALI/****

ASSEMBLY INSTRUCTIONS

Technical Specification:

- Supply Voltage: 220-240V AC 50/60Hz
- Insulation Class: II
- Ingress Protection: IP41
- Emergency Duration: 3 hours
- Light Source: for M3 and ST version 2W LED for DALI version 3W
- Battery 6.4V 1.6Ah LiFePO4 for M3 & ST
- Battery 9.6V 1.5Ah LiFePO4 for DALI
- Battery Recharge Time: 12h
- Max Battery Temperature: 55°C
- Ambient Temperature: 0 - 40°C
- Viewing Distance: 25m
- Charge indicator: Green / Red LED
- Deep Discharge Protection DDP
- Self-Test & DALI versions available
- Surface assembly (ceiling)
- Assembly indoors to flat surface
- Polycarbonate body, Plexi Glass
- Maintained or Non-Maintained Operation

Important:

It is recommended that the unit is installed by a competent person ensuring the installation complies with the necessary standards. The company accept no responsibility for incorrect installation, operation or maintenance. The unit requires an unswitched supply for charging the battery and a switched supply for a maintained unit. After installation of the fitting, the battery must be charged for 24 hours.

LED indication Chart

		DALI	ST	M3
Green Solid	Mains On No Fault	●	●	●
Green Flash	Function Test In Progress	0.1s On ● 0.1s Off	0.2s On ● 2.2s Off	Not Applicable
	Duration Test In Progress	1.0s On ● 1.0s Off	0.2s On ● 2.2s Off	Not Applicable
	Duration Test Passed	4.0s On For ● 1.0s Off 7 Days	Not Applicable	Not Applicable
Red Solid	Lamp Fault	●	Not Applicable	Not Applicable
Red Flash	Battery Fault	1.0s On ● 1.0s Off	0.5s On ● 3.0s Off	0.5s On ● 3.0s Off
	Lamp Fault	Not Applicable	2 x 0.5s On ● 2.0s Off	Not Applicable
	Lamp & Battery Fault	Not Applicable	3 x 0.5s On ● 1.0s Off	Not Applicable
	LED Driver Fault	0.1s On ● 0.1s Off	Not Applicable	Not Applicable
LED Off	Mains Failure Battery OK	Off ○	Off ○	Off ○
Red/Green Alternate	DALI Mode Identification	◐	Not Applicable	Not Applicable

Testing / Commissioning:

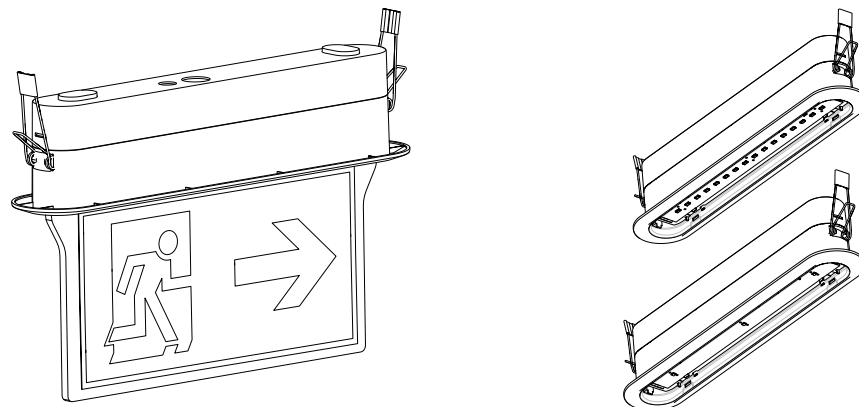
Ensure the load is connected
Enter the commissioning date on battery pack and connect the battery
Switch on the unswitched supply – Check that the green charge LED illuminates
Switch on the maintained supply – Check that the fitting illuminates as normal
Switch off the maintained supply
Switch off the unswitched supply – Check that the green charge led extinguishes and the fitting illuminates
Enter the commissioning date on battery pack
Switch on the unswitched supply

It is recommended that the batteries are renewed every 6 years. The fitting is equipped with non-replaceable LED.

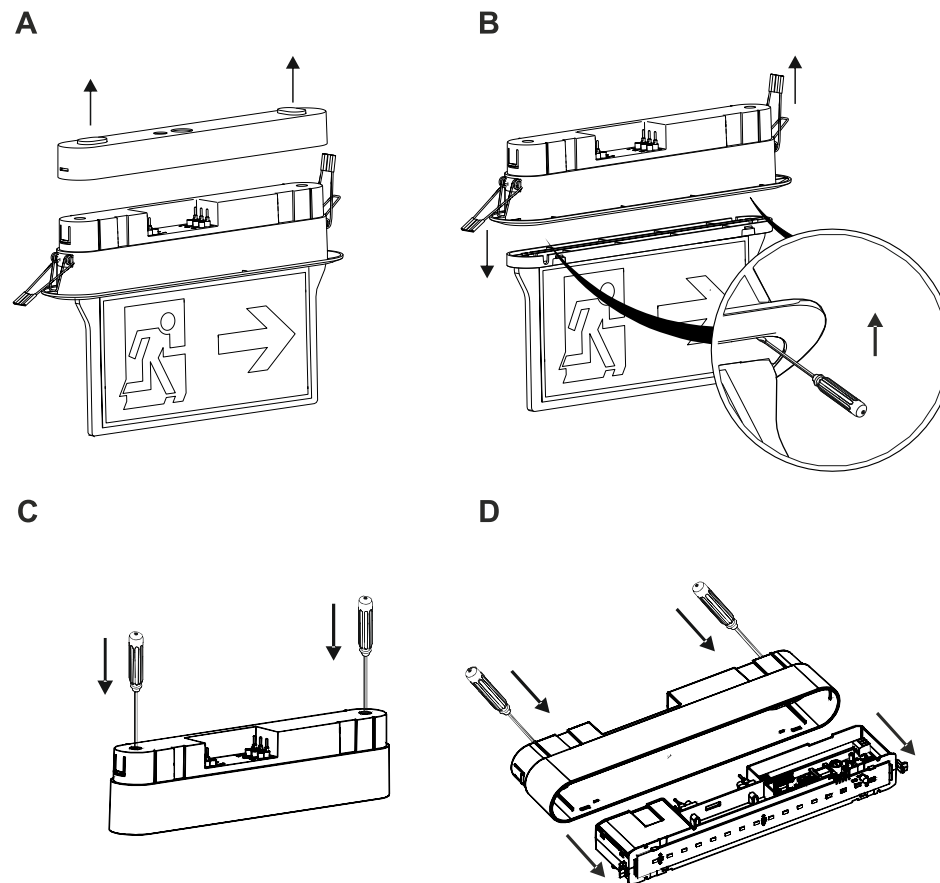
Self-Test Function:

A Function Test automatically runs every 28 days. During this test the fitting is switched into emergency mode for 1 minute. During the test the battery discharge current is checked.
A Full Duration Test automatically runs every 364 days. During this test the fitting is switched into emergency mode for 3 hours. During the test the battery discharge current and battery voltage is checked

LD1R fitting

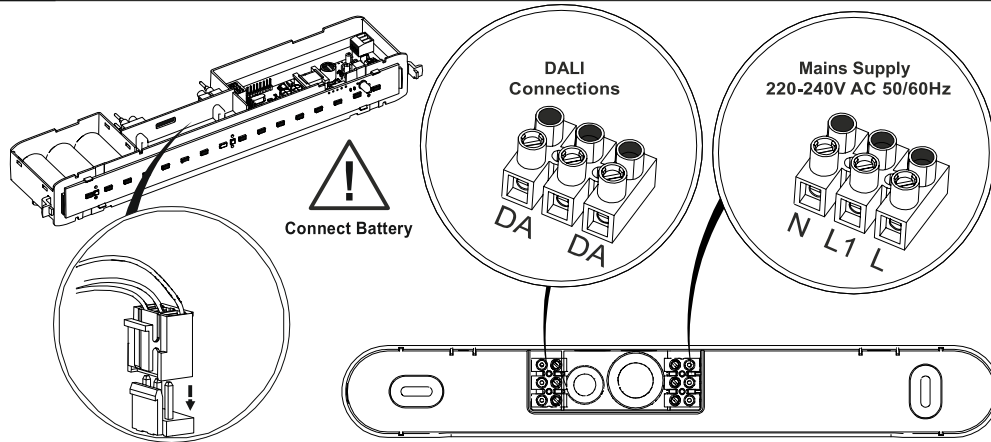


2 Disassembling the LD1R fitting



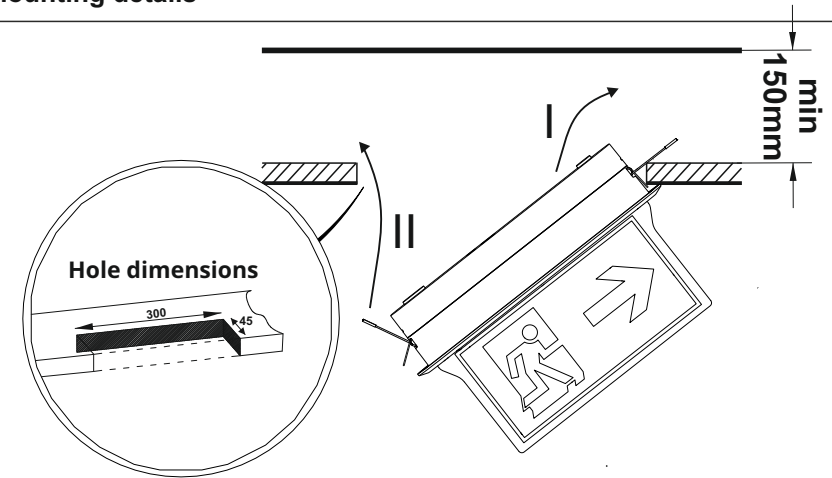
3

Connections for DALI version



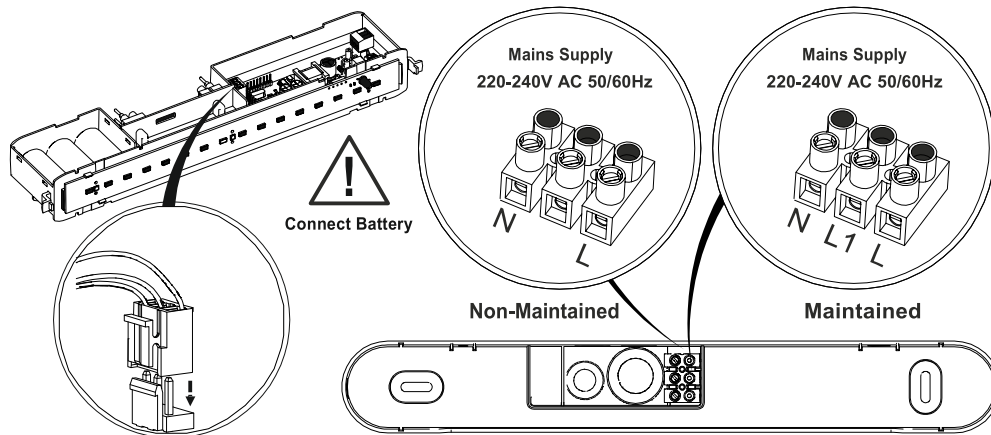
6

Mounting details



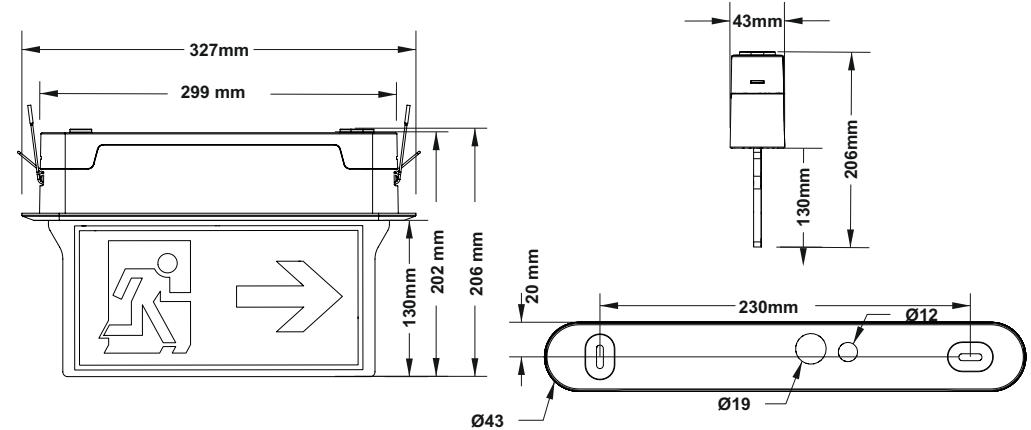
4

Connections for Maintained, Self-Test and Non-Maintained versions



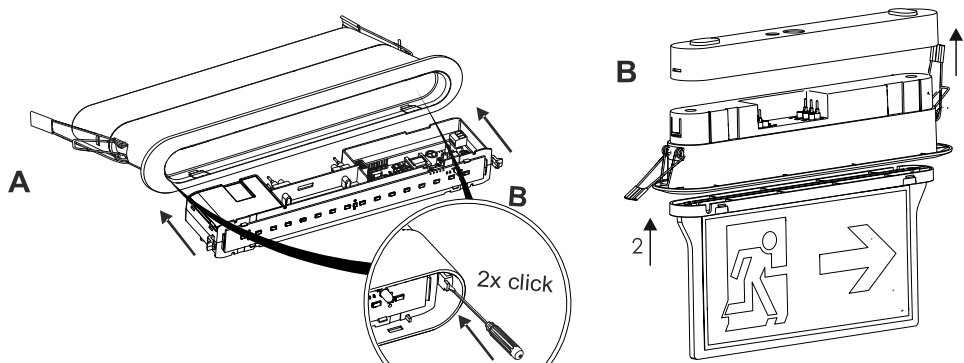
7

Dimensions



5

Assembly instruction



8

Additional guidelines

Guidelines for installation

Ensure a permanent supply to connection L
 Ensure a switched supply connection L1
 For Non-Maintained use only L, do not connect to L1
 Ensure correct polarity of the battery
 The drawing in the fitting may vary to the actual product, connect as per label on fitting.
 When fitting a flush fitting, refer to installation instruction, including any ceiling manufacturer's instructions.