

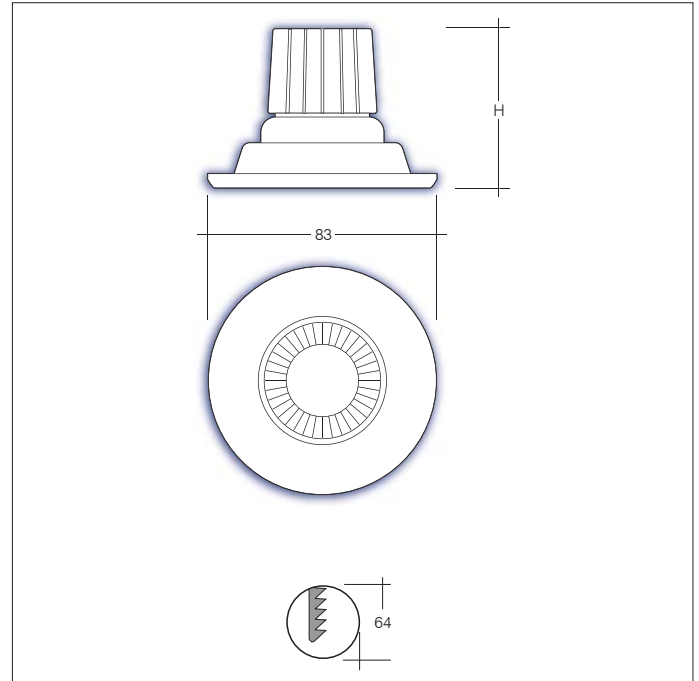
# Lily 3

## Downlighter

Innovation.  
Collaboration.  
Illumination.



Indoor Lighting



### Overview

The Lily 3 is a fixed IP65 downlight and is available in three colour finishes. There are various configurations available in three colour temperatures and various lumen outputs.

The DC LED module is supplied with a remote LED driver designed for dimmable and higher output applications. An AC LED option is also available and is suitable for both leading and trailing edge dimming.

A 230v GU10 option is also available and is supplied as standard with a Philips GU10 5w LED lamp.

### Options

- For White bezel option suffix /W
- For Chrome bezel option suffix /CH
- For Satin Silver bezel option suffix /SS
- For 24° suffix /24D
- For 36° suffix /36D
- For Dali dimmable option (DC only) suffix /DIM

\* GU10 available as 36° only

i.e. LIL/3/AC10/4/CH/24D =  
Lily IP65 Downlight, 810lm, 10w, 4000K, Chrome finish, 24°

Part No.	Watt	Lm	CRi	CCT	H (mm)
LIL/3/AC10/2	10	710	90	2700	80
LIL/3/AC10/3	10	760	90	3000	80
LIL/3/AC10/4	10	810	90	4000	80
LIL/3/DC10/2	10	770	90	2700	65
LIL/3/DC10/3	10	840	90	3000	65
LIL/3/DC10/4	10	890	90	4000	65
LIL/3/DC13/2	13	1140	90	2700	75
LIL/3/DC13/3	13	1170	90	3000	75
LIL/3/DC13/4	13	1270	90	4000	75
LIL/3/GU10*	5	355	80	2700	85

More outputs available, see [www.LDL.lighting](http://www.LDL.lighting)

### Key features

- IP65 suitable for internal environments
- Impact rating of IK04
- Efficacy of up to 91lm/W
- Nominal life-time of > 50,000 h (L70/B50)
- Colour stability with 3 step MacAdam
- Very high colour rendering index CRI > 90
- Emergency BLF = 254 lm