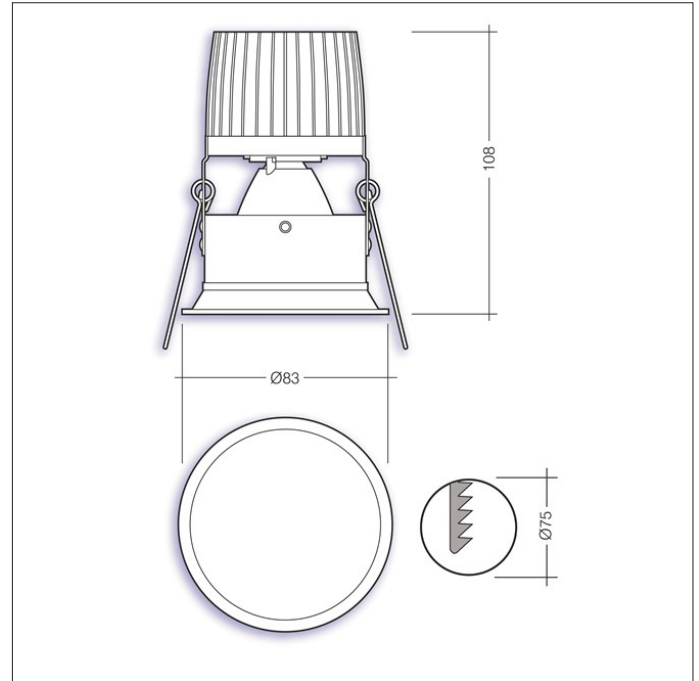


Indoor Lighting



Overview

The Ruby downlight is designed with a slim bezel, available in black or white to give an aesthetically pleasing finish along with a deep baffle which produces very low glare (11<UGR).

Two beam angles are available and three colour temperatures making the fixtures suitable for most commercial and residential applications.

The range is enhanced with various options including dimmable drivers, remote emergency, monitor self-test emergency and DALI EM-Pro emergency.

Casambi enabled drivers can be fitted to create wireless mesh systems.

Options

- For a black finish suffix: /BLK
- For a white finish suffix: /WHI
- For DALI dimmable suffix: /DIM
- For Casambi enabled suffix: /CAS
- For leading/trailing edge dimmable suffix: /MDIM
- For 3hr emergency suffix: /EMR
- For self-test emergency suffix: /ST
- For DALI addressable emergency suffix: /EMP

i.e. RUB/1170/30/4/WHI/CAS =
Ruby downlight, 1169 lumens, 10W, 30°, 4000K, white bezel & Casambi enabled.

CRI > 80 supplied as standard, CRI > 90 available on request.

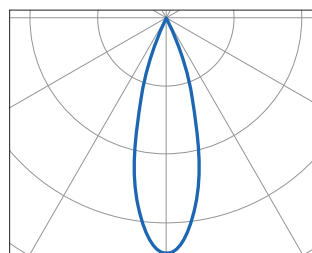
Part No.	Lm	W	Lm/W	Beam	CCT
RUB/1050/30/2	1052	10	104	30°	2700K
RUB/1080/30/3	1080	10	107	30°	3000K
RUB/1170/30/4	1169	10	115	30°	4000K
RUB/1020/40/2	1017	10	100	40°	2700K
RUB/1040/40/3	1042	10	103	40°	3000K
RUB/1120/40/4	1125	10	111	40°	4000K

For more information, please contact Sales@ldl.lighting

Key features

- IP20
- Impact rating of IK04
- Efficacy of up to 115lm/W
- Nominal life-time of >50,000 h (L70/B10)
- Colour stability with 3 step MacAdam
- High colour rendering index CRI > 80
- Emergency BLF = 304 lm

30° reflector



40° reflector

