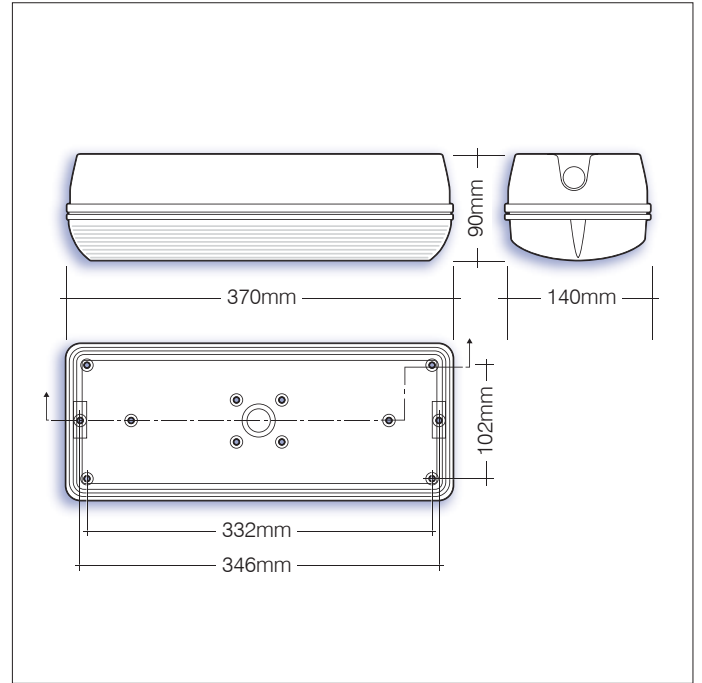


Emergency



Overview

The JP is an IP66 compact 90 lumen polycarbonate bulkhead finished in white with a screw fixed high transmission LED opal diffuser. The JP is complete with two conduit entry points and multiple fixing positions. Now available with antimicrobial technology.

Options

- For monitor self test emergency suffix /MON
- For DALI addressable emergency suffix /EMP
- For antimicrobial technology suffix /AMT

Part No.

Description

JP/LED/NM	Non-maintained bulkhead
JP/LED/M	Maintained bulkhead
JP/LED/240	240V bulkhead

More options available, see www.LDL.lighting

Key features

- IP66 suitable for external environments
- Impact rating of IK10
- Efficacy of up to 100lm/W
- Emergency BLF = 310 lm
- Battery: 1 x LiFePO4 3.2V 4.5Ah
- Light source: 18 x 4000K LEDs (CRI>80)
- Weight: 1.1 kg