

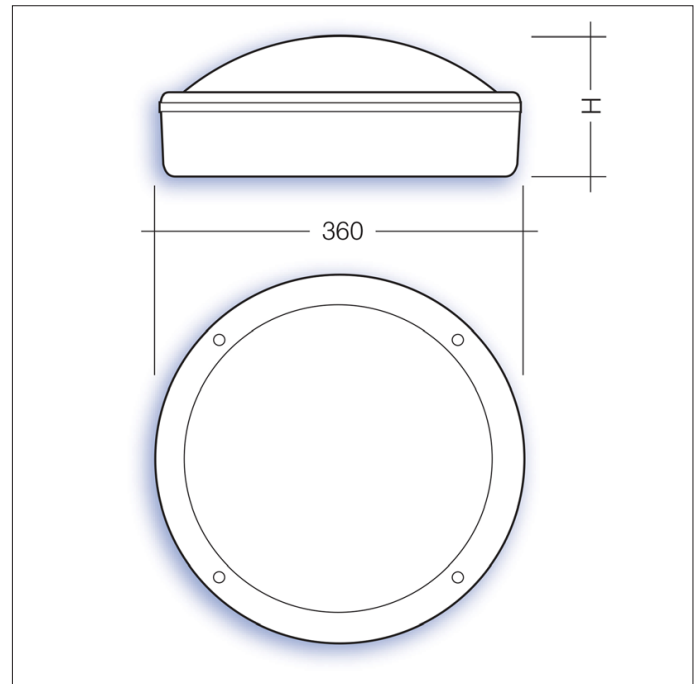
LD Series

Surface Mounted

Innovation.
Collaboration.
Illumination.



Outdoor Lighting



Sensor Options

- 1. On-off, no daylight control suffix /F1
- 2. On-off, with daylight control suffix /F2
- 3. Corridor function, no daylight control suffix /F3
- 5. Dimm to off, no daylight control suffix /F5
- 4. Corridor function, with daylight control suffix /F4
- 6. Dimm to off, with daylight control suffix /F6

Options

- For Silver Bezel suffix /SLV
- For White Bezel suffix /WHI
- For Black Bezel suffix /BLK
- 4000k as standard, for 3000k suffix /3 i.e. LD7016/1340/3
- For Emergency suffix /EMR
- For Self-test Emergency suffix /ST
- For Dali Em-pro Emergency suffix /EMP
- For LiFePO4 Battery suffix /LFP

i.e. LD7016/1600/4/BLK/F3/ST/LFP = Black Eyelid bulkhead, 1595 Lumens, 21 Watts, 4000K, Corridor Function without daylight control c/w Self-test Emergency and LiPO4 batteries.

Part No.	W	L	Lm/W	H	Weight (kg)
LD7010/940/4	10	935	95	145	3.40
LD7010/1230/4	13	1227	96	145	3.40
LD7010/1480/4	16	1480	95	145	3.40
LD7016/1030/4	13	1027	82	169	3.51
LD7016/1340/4	17	1337	81	169	3.51
LD7016/1600/4	21	1595	76	169	3.51

For more information, please contact Sales@ldl.lighting