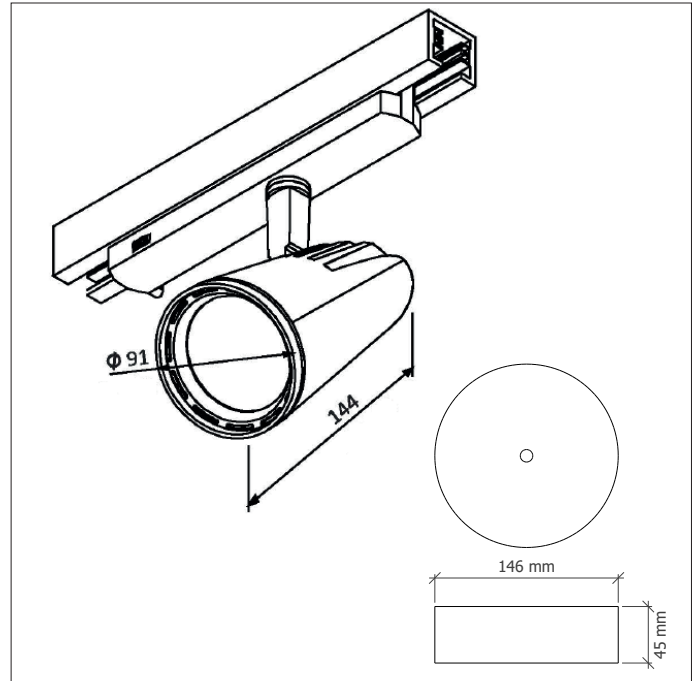


Indoor Lighting



Key features

- IP20 suitable for internal environments
- Impact rating of IK04
- Efficacy of up to 128lm/W
- Nominal life-time of 50,000 h (L90/B10)
- Colour stability with 3 step MacAdam

Options

- For 18° reflector suffix: /18D
- For 24° reflector suffix: /24D
- For 36° reflector suffix: /36D
- For 45° reflector suffix: /45D
- For black finish suffix: /BLK
- For white finish suffix: /WHI
- For DALI dimmable suffix: /DIM
- For Casambi enabled suffix: /CAS
- For Surface mounted: /SURF

i.e.: GRACE Trackspot, 17W, 2150lm, 4000K, 36° reflector, black finish, Casambi enabled = **GRA/2150/4/36D/BLK/CAS**

CRI 80 as standard, CRI 90 available on request.

White finish as standard, other finishes available on request.

Part No.	Lm	W	Lm/W	Weight	CCT
GRA/1380/3	1376	12	118	0.9kg	3000K
GRA/1600/4	1625	13	125	0.9kg	4000K
GRA/1980/3	1978	17	116	0.9kg	3000K
GRA/2200/4	2273	19	120	0.9kg	4000K
GRA/2680/3	2677	24	115	0.9kg	3000K
GRA/2600/4	2668	24	111	0.9kg	4000K
GRA/3170/3	3168	30	106	0.9kg	3000K
GRA/3440/4	3444	30	115	0.9kg	4000K

For more information, please contact Sales@ldl.lighting

