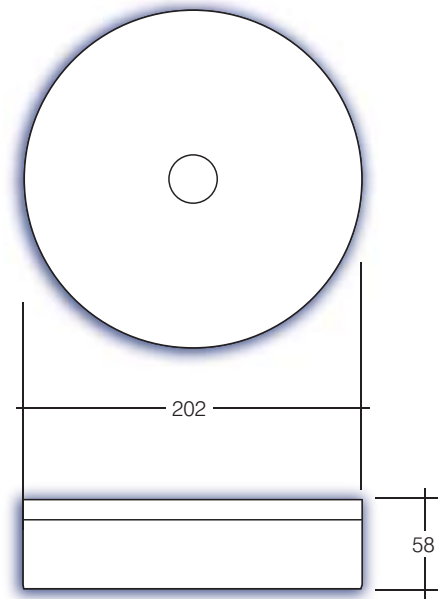


Indoor Lighting



Overview

The stylish and compact LD3S circular IP65 emergency LED bulkhead is suitable for ceiling mounting applications. The LD3S is available in either 3W (390 lumens) or 6W (600 lumens). Switchable Maintained, Non-Maintained or DALI Self-Test is available for 3W only. The 6W unit is offered as nonmaintained and NiCd batteries (non LiFePO4) only. The IP65 rating and high output LED make this an excellent solution for tall ceiling heights in damp locations. As standard the range is supplied with the latest in Lithium Iron Phosphate LiFePO4 Battery technology with a 4 year battery warranty.

Key Features

- IP65 suitable for external environments
- ISO legends as standard
- Battery: LiFePO4 Cells
- Weight: 0.8 kg