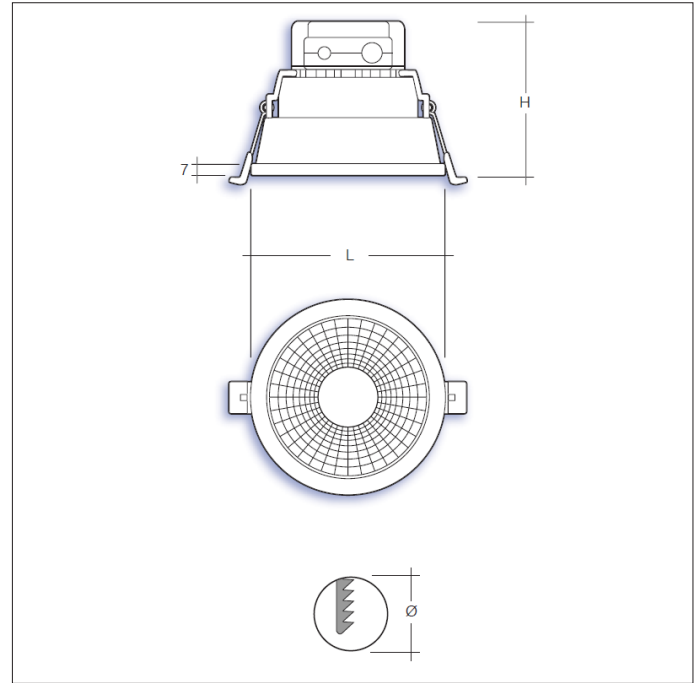


Indoor Lighting



### Overview

The Ellie LED downlighter incorporates the latest in led technology and design resulting a range of downlighters suitable for most commercial applications.

The 230v led module means no remote driver is required and incorporates an integral heatsink to give a very simple and effective downlighter with an efficacy up to 111 lumens per watt.

Three sizes are available with two colour temperatures, 60deg and 90deg reflectors are available to suit various applications including corridors and open plan areas.

### Options

- For 60deg Reflector suffix /60
- For 90deg Reflector suffix /90
- For Emergency suffix /EMR
- N.B Available as fixed output only, not dimmable

i.e. **ELL/2/2000/4/90 =**  
Ellie LED 170mm downlighter, 2210lm, 4000k c/w 90deg reflector

### Part No.

Part No.	Lm	W	CCT	L	H	Ø
ELL/1/1000/3	1060	10	3000	120	96	100
ELL/1/1000/4	1110	10	4000	120	96	100
ELL/2/1000/3	1100	10	3000	170	115	145
ELL/2/1000/4	1120	10	4000	170	115	145
ELL/2/2000/3	2130	20	3000	170	115	145
ELL/2/2000/4	2210	20	4000	170	115	145
ELL/3/2000/3	2200	20	3000	225	135	210
ELL/3/2000/4	2250	20	4000	225	135	210
ELL/3/3000/3	3070	30	3000	225	135	210
ELL/3/3000/4	3180	30	4000	225	135	210

More outputs available, see [www.LDL.lighting](http://www.LDL.lighting)

### Key features

- IP20 suitable for internal environments
- Impact rating of IK02
- Efficacy of up to 111lm/W
- Nominal life-time of 50,000 h (L70/B50)
- Small colour tolerance with 4 step MacAdam
- High colour rendering index CRI > 80
- Emergency BLF = 287 lm