

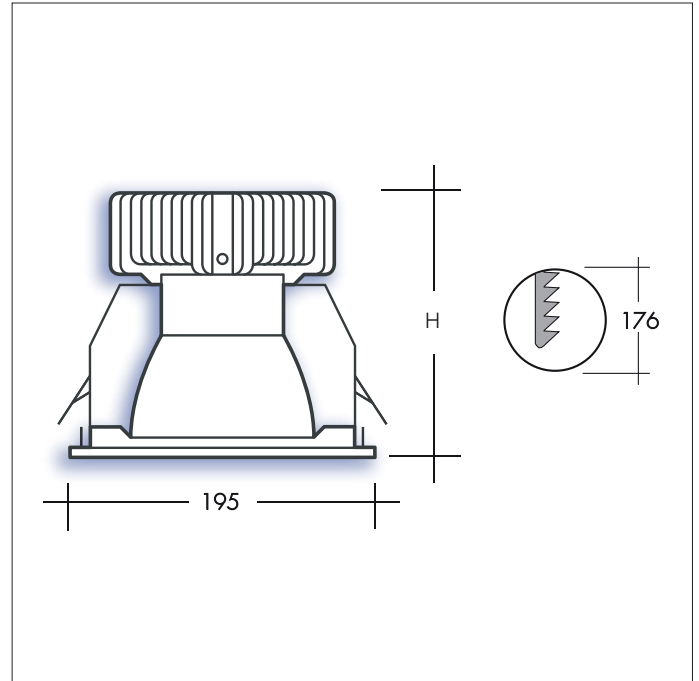
Hemera

Downlighter

Innovation.
Collaboration.
Illumination.



Indoor Lighting



Key Features

- IP20 suitable for internal environments
- Impact rating of IK10 (with SG8 & SG9)
- Efficacy of up to 112lm/W
- Nominal life-time of >60,000 h (L70/B10)
- Colour stability with 3 step MacAdam
- High colour rendering index CRI > 80
- Emergency BLF = 291 lm

For all accessories, see following pages.

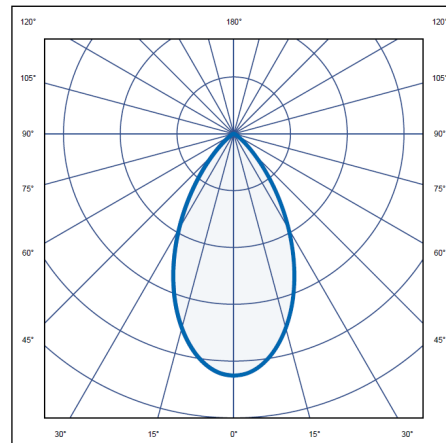
Options

- For DALI dimmable suffix /DIM
- For Tunable White suffix /TW
- For Casambi enabled suffix /CAS
- For wireless dimmable system suffix /WD
- For 3 hr self-contained emergency suffix /EMR
- For self-test emergency suffix /ST
- For DALI addressable emergency suffix /EMP
- For wireless addressable emergency suffix /WAE
- For Anti-Ligature suffix /AL

i.e. **HEM/1890/4/DIM/MON/SG2 =**
Hemera 1889 lumens, 17W, 4000K, DALI dimmable c/w self-test emergency and IP54 centre frost glass

Part No.	Lm	W	Lm/W	H(mm)	CCT
HEM/1010/3	1009	10	105	120	3000K
HEM/1090/4	1090	10	112	120	4000K
HEM/1740/3	1743	17	100	120	3000K
HEM/1890/4	1889	17	108	120	4000K
HEM/2680/3	2675	30	88	120	3000K
HEM/2900/4	2902	31	95	120	4000K
HEM/4180/3	4177	46	90	140	3000K
HEM/4530/4	4532	46	97	140	4000K

For more information, please contact Sales@ldl.lighting



Hemera

Downlighter

Innovation.
Collaboration.
Illumination.



Indoor Lighting

Clear drop glass /DG1



Frost outer drop glass /DG2



Frost centre drop glass /DG3



Frost drop glass /DG4



Clear halo drop glass /DG5



Frost halo drop glass /DG6



Frost drop ring /DG7



Blue drop ring /DG8



Black drop ring /DG9



Mesh trim fitted /MT



Indoor Lighting

IP54 clear glass /SG1



IP54 centre frost glass /SG2



IP54 frost glass /SG3



IP54 clear polycarbonate /SG4



IP54 opal polycarbonate /SG5



IP44 prismatic lens /SG6



Universal bezel -
for use with IP65 glasses /UB



IP65 clear glass /SG7



IP65 clear polycarbonate /SG8



IP65 opal polycarbonate /SG9



Frost Hi-Light /HL1



Blue Hi-Light /HL2



White Anti-Tamper Bezel /ATWH

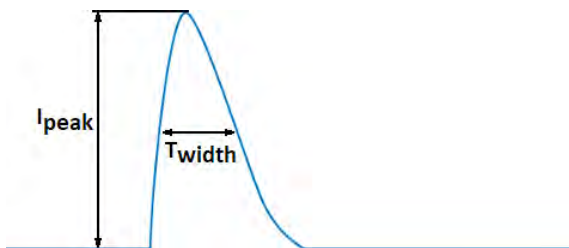


Driver ratings

Fixed output driver

Inrush current

Specification item	Value	Unit	Condition
Inrush current I_{peak}	4.4	A	Input voltage 230V
Inrush current T_{width}	66	μ s	Input voltage 230V, measured at 50% I_{peak}
Drivers / MCB 16A type B	≤ 34	pcs	Indicative value



MCB	Rating	Relative number of LED drivers
B	4A	25%
B	6A	40%
B	10A	63%
B	13A	81%
B	16A	100% (stated in datasheet)
B	20A	125%
B	25A	156%
B	32A	200%
B	40A	250%
C	4A	42%
C	6A	63%
C	10A	104%
C	13A	135%
C	16A	170%
C	20A	208%
C	25A	260%
C	32A	340%
C	40A	415%

Driver touch current / protective conductor current

Specification item	Value	Unit	Condition
Typical Touch Current (ins. Class II)	0.5	mA peak	Acc. IEC61347-1. LED module contribution not included

Surge immunity

Specification item	Value	Unit	Condition
Mains surge immunity (diff. mode)	1	kV	Acc. IEC61000-4-5. 2 Ohm, 1.2/50us, 8/20us
Mains surge immunity (comm. mode)	2	kV	Acc. IEC61000-4-5. 12 Ohm, 1.2/50us, 8/20us

Application Info

Specification item	Value
Approval marks	CCC / CE / EL / ENEC / SELV
Ingress Protection classification (IP)	20
Application	Indoor Point
Mounting Type	Built-in / Independent

Driver ratings

DAI driver

ELECTRICAL SPECIFICATIONS				
Rated input voltage range:	220 ... 240 Vac			
Max. input voltage range:	198 ... 264 Vac			
DC voltage range :	176 ... 278 Vdc			
Rated frequency range:	0 / 50 / 60 Hz			
Max. input current:	0.25 A @ 230 Vac			
Total harmonic distortion (max.):	≤ 15 % at rated input voltage range @ full load			
Inrush current:	Cold start 30A (test width = 10μs at 50% Ipeak) @ 230Vac;			
MCB Loading Quantity:	Inrush current Ipeak: 2.4A		Inrush current Twidth: 34us	
	MCB Type:	B10	C10	B16 C16
	Qty (PCS):	57	57	92 92
Output current tolerance:	± 5 % at rated input voltage range @ rated load			
Default current:	700mA			
No load output voltage:	≤ 59 Vdc			
Standby power consumption:	≤ 0.5W			
Ripple output current:	Peak-to-average value(≤ 3KHz) ≤ 4%			
Output PST:	≤1			
Output SVM:	≤0.4			
Dimming:	Dimming mode:		DALI-2, Push Dimming	
	Dimming current range:		1%~100%	
Withstand voltage:	I/P-O/P: 3.75 kVac, < 5 mA 60 sec			
Mains surge immunity:	L-N 1 kV			
Connection terminal type:	90° push in terminal			
Wire cross section:	Primary side: 0.5 - 1.5 mm ² ; secondary side: 0.5 - 1.5 mm ²			
Wire stripping length:	7 - 8 mm			
Protection rating:	IP 20			