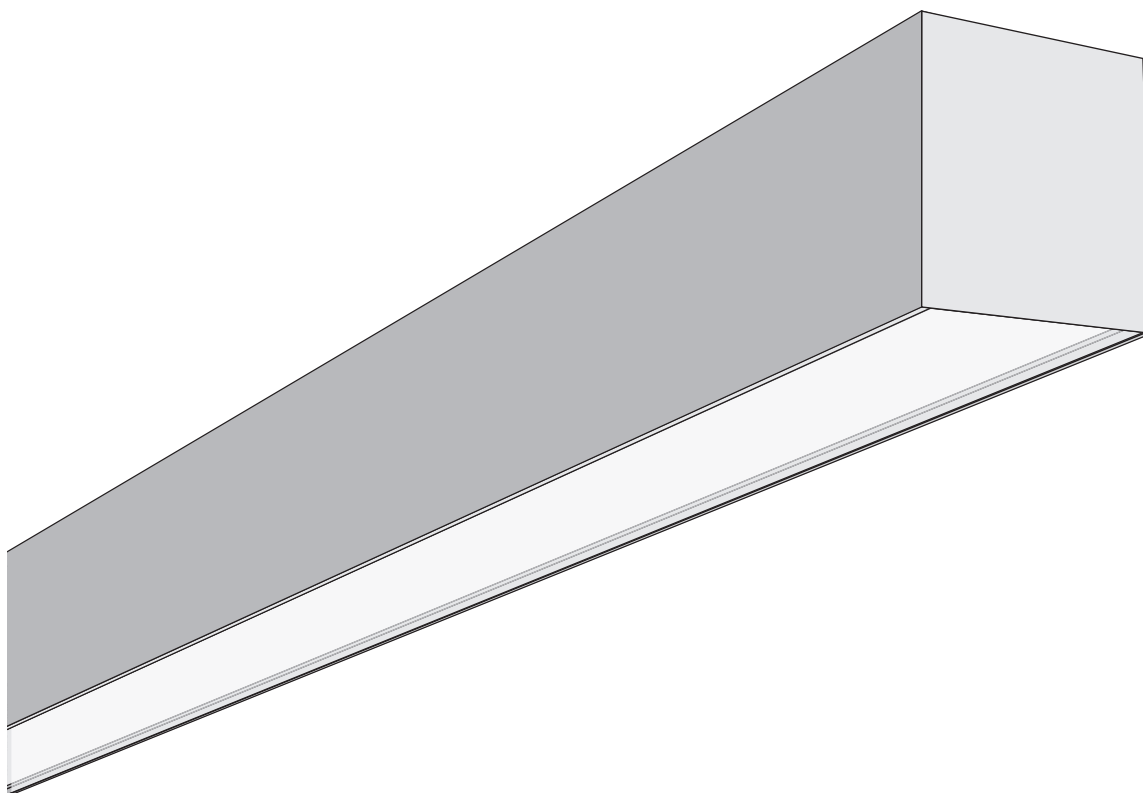


MILLIE Linear LED Luminaire

Installation instructions



MIL/* /05/***** L= 570mm

MIL/* /08/***** L= 850mm

MIL/* /11/***** L= 1130mm

MIL/* /14/***** L= 1410mm

MIL/* /16/***** L= 1690mm

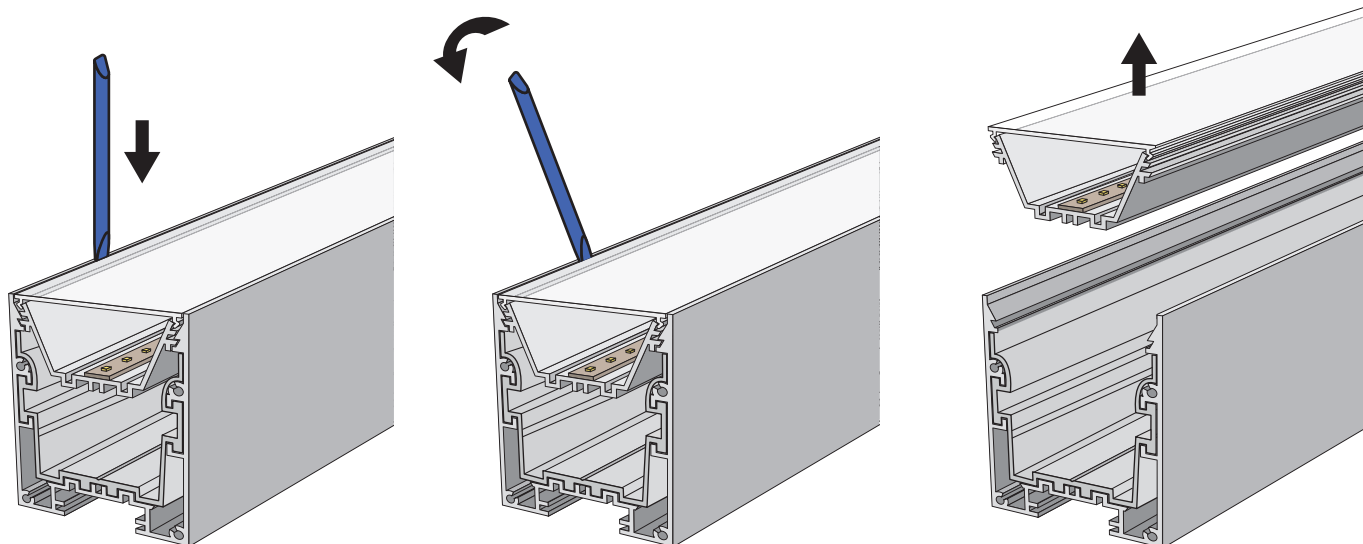
MIL/* /19/***** L= 1970mm

MIL/* /22/***** L= 2250mm



Removing LED

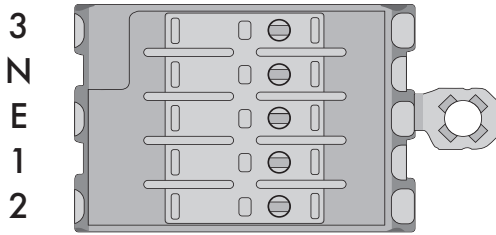
Use plastic tool to remove the gear tray.



Drill hole for cable entry as required.
Mains must be powered off.



Wiring Information

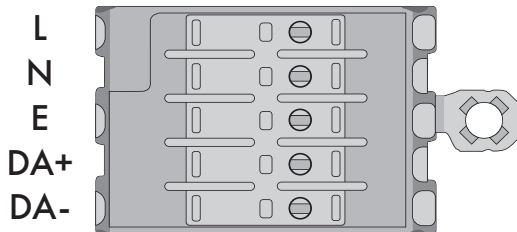


Standard

n/c
Neutral
Earth
Live
n/c

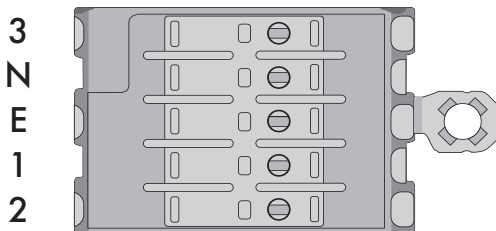
Standard with Emergency

n/c
Neutral
Earth
Switched Live
Permanent Live



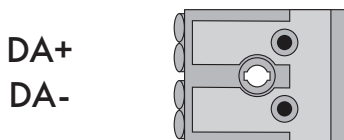
Dali

Neutral
Earth
Live
Dali+
Dali-



Dali with Emergency

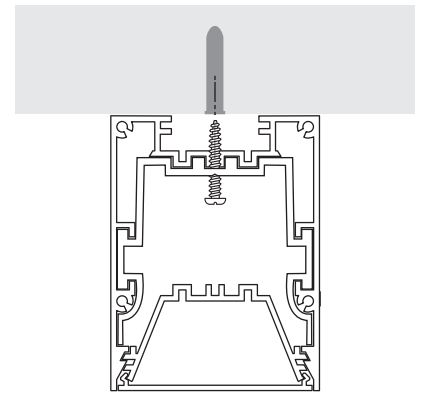
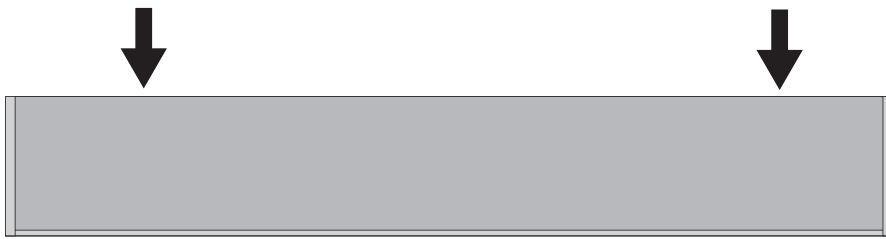
n/c
Neutral
Earth
Switched Live
Permanent Live



Dali+
Dali-

Surface mounting

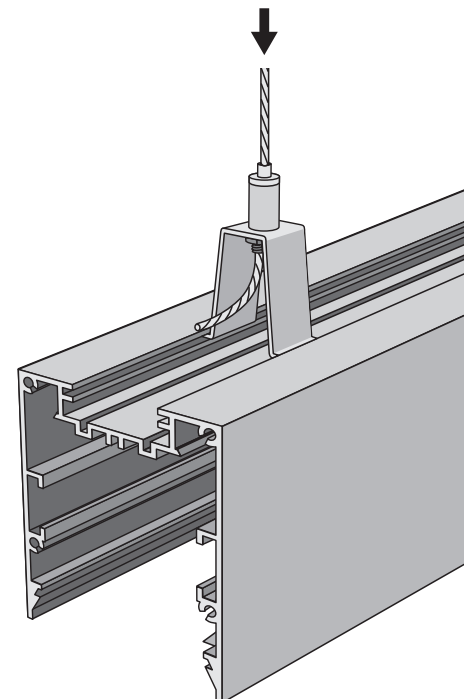
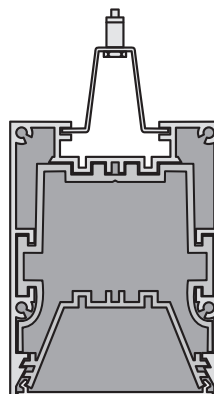
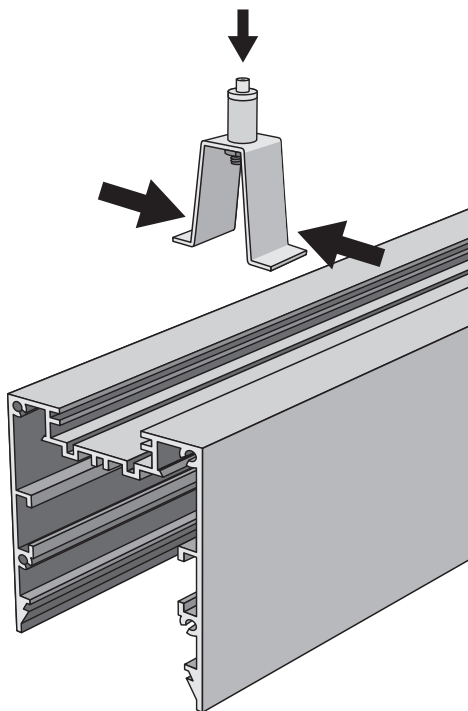
Drill holes for surface mounting as required.



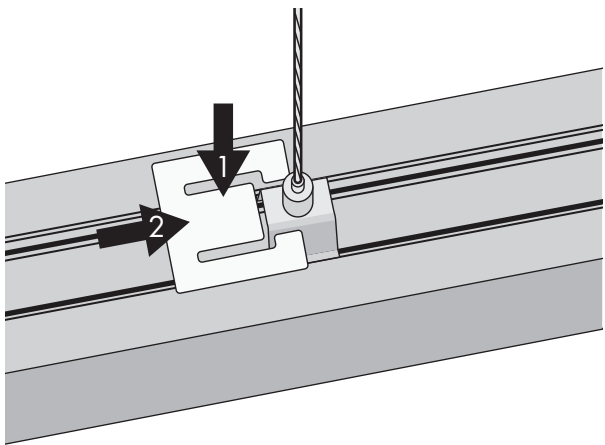
Drill holes in ceiling and fix with appropriate fasteners.

Suspended mounting

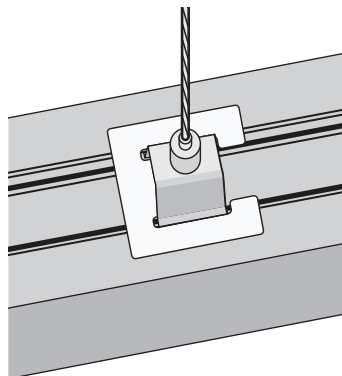
Compress the suspension clip by hand only. Do not use tool.
Insert into the slot as shown. Suspensions to be no more than 150mm from ends.
Minimum number of suspensions: 2 per Millie up to 2250mm
and 3 per Millie over 2250mm.



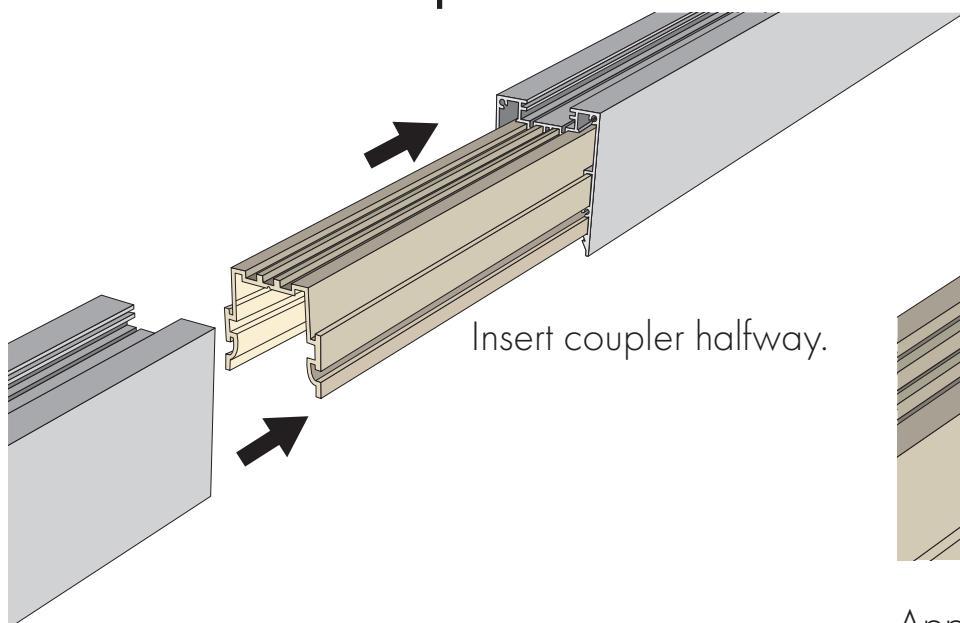
Install suspension wire to ceiling and thread into suspension clutch. Ensure fittings are installed level.



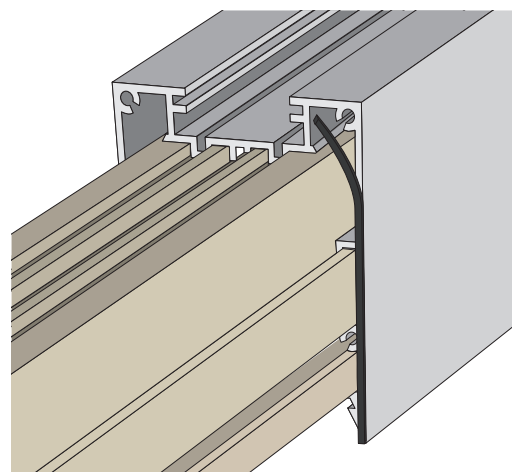
Fit packer clip as shown. Press down and then across until the arms are clipped in place.



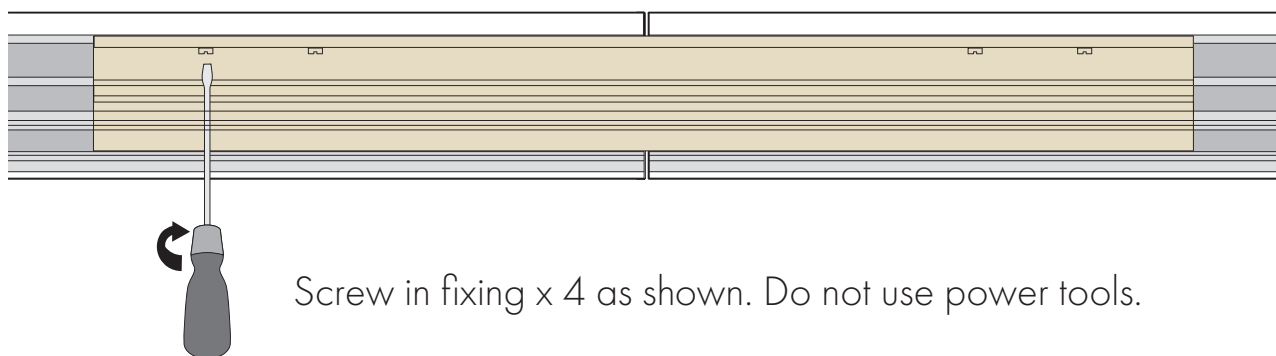
Continuous with coupler



Insert coupler halfway.

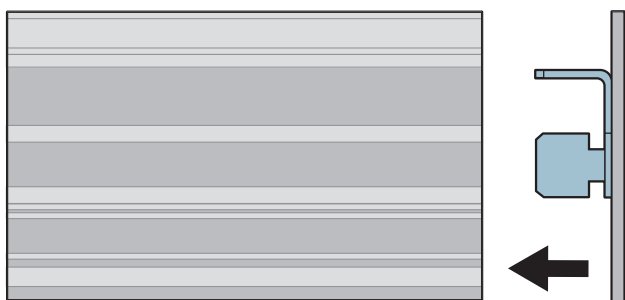


Apply gasket to joints as shown. Add next extrusion.

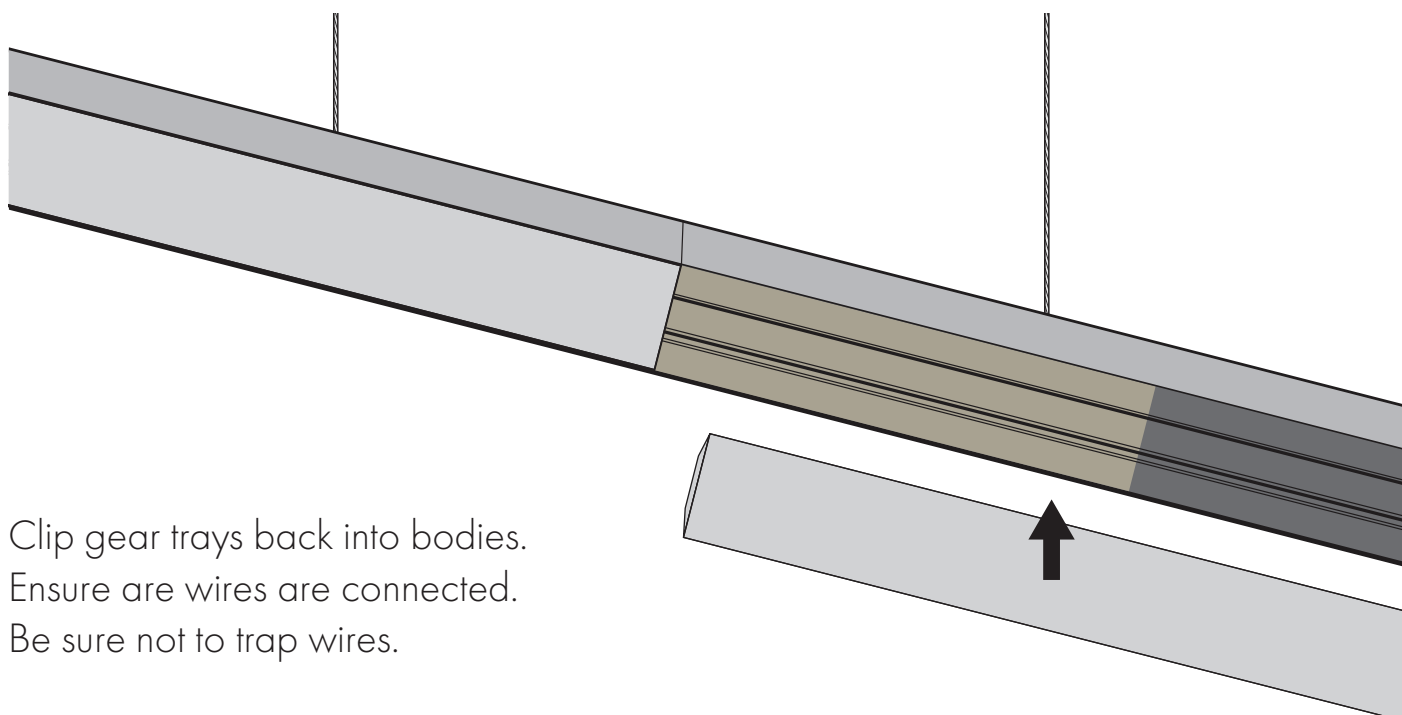
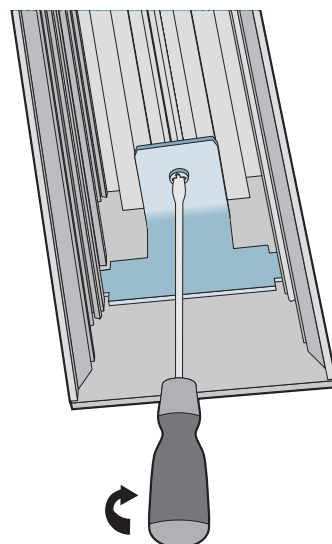
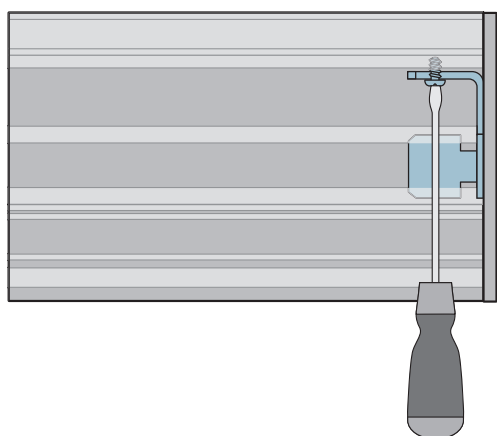


Screw in fixing x 4 as shown. Do not use power tools.

Fit end caps



Insert endcap into extrusion.
Screw through hole as shown.
Do not use power tools.



Clip gear trays back into bodies.
Ensure wires are connected.
Be sure not to trap wires.